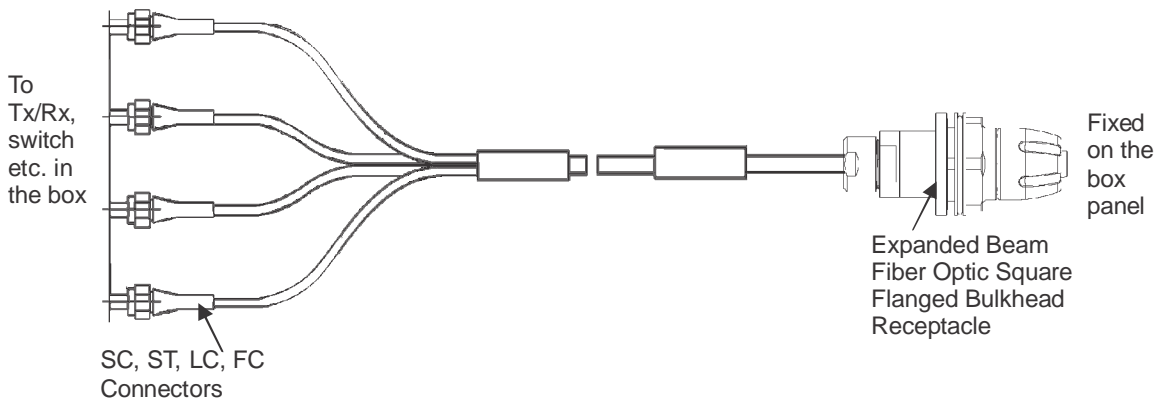


## Expanded Beam Receptacle – FC/ST/SC/LC FO Cable Sets for In-Box Applications



These Expanded Beam Receptacle to SC/ST/LC/FC cable sets are designed for military applications 'inside-box'. The SC/ST/LC/FC side mates to the transceiver (or other equipment) inside the box. The expanded beam receptacle side is mounted on the box and is eventually mated with outside environment plug. We provide custom cable lengths, number of fibres, connectors as per choice like SC, ST, LC, FC, MT-RJ

### FEATURES

- Number of Fiber Channels as per choice – 1, 2, 4
- Various combinations of MT-RJ, ST, FC, SC, LC to Expanded Beam Receptacle
- Custom cable type & lengths possible
- Singlemode 9/125um, Multimode 50/125um and 62.5/125um can be chosen

### APPLICATIONS

- Enclosures in Radars, Military Systems, Ground Control Systems, Launchers etc
- Applications where equipment inside enclosures has to be connected to outside env.
- **Imported Expanded Beam** Receptacles
- Imported OFNR/OFNP Grade FO cable
- Imported Hi-End FC/ST/SC/LC connectors

### How to Specify Part Numbers for Cable Sets:

STF-X - □ □ □ □ □ / □ □ □ □ □ - □ F / □ □ M / □ □ □ □ - □ □ □ □ □ - 00  
**A A A B C A A A B C N X X Y Y Y Y Z Z K K K**

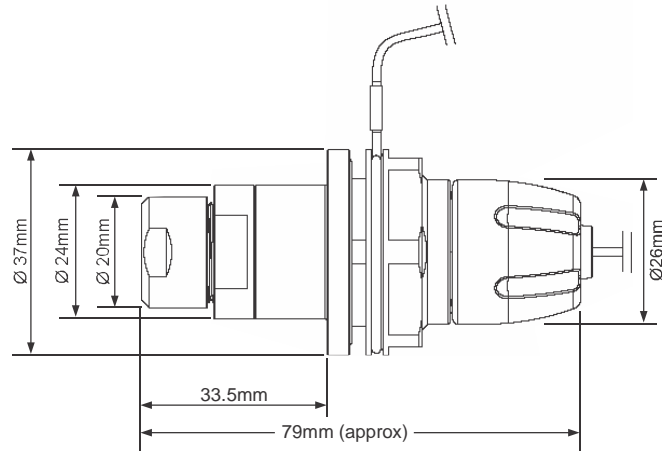
<b>A</b>	Connector Code	09 = ST SM; 11 = ST MM 50/125; 13 = ST MM 62.5/125 15 = SC SM; 17 = SC MM 50/125; 19 = SC MM 62.5/125 21 = LC SM; 23 = ST LC 50/125; 25 = LC MM 62.5/125 27 = FC SM; 29 = FC MM 50/125; 31 = FC MM 62.5/125 9/125 X-Beam Jamnut Receptacle: 150 = 2 channel; 153 = 4 channel 62.5/125 X-Beam Jamnut Receptacle: 159 = 2 channel; 162 = 4 channel 50/125 X-Beam Jamnut Receptacle: 171 = 2 channel; 174 = 4 channel
<b>B</b>	Connector Type	Straight = S ; Right Angle= R ; Jamnut Receptacle = J ; Wall Mount Receptacle = W; Square Flange Bulkhead Receptacle = B
<b>C</b>	Connector Style	Male/Plug = P ; Female = J
<b>N</b>	No. of Fibers in cable	1 = 1 fiber ; 2 = 2 fiber; 4 = 4 fiber
<b>XX</b>	2 digit code for Mode	9S = 9/125um singlemode ; 5M = 50/125um multimode; 6M = 62.5/125um multimode ; CM = 50/125 & 62.5/125 multimode
<b>YYY</b>	Length (meter/Km)	100 meter = 100M ; 1 Km = 1KM ; 1 feet = 1F
<b>ZZ</b>	2 digit cable code	DI = Distribution Style ; BR = Breakout; RI = Riser
<b>KKK</b>	Cable class code	Breakout = 023; Distribution = 065; Riser = 120

1m Cable Set 9/125um, ST Plug ~ X-Beam Receptacle, 2 Fiber = STF-X-09SP/150SP-2F/9SM/1M-DI065-00

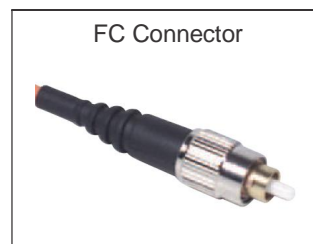
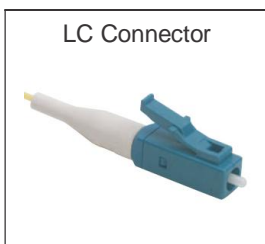
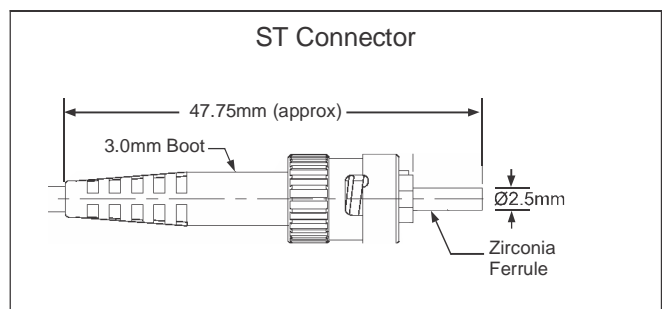
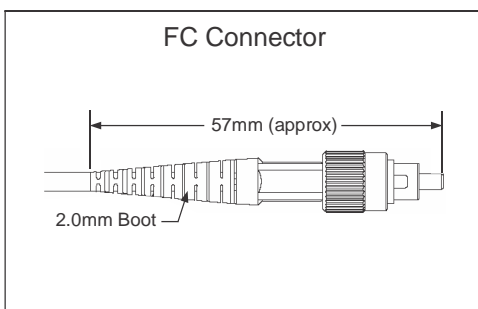
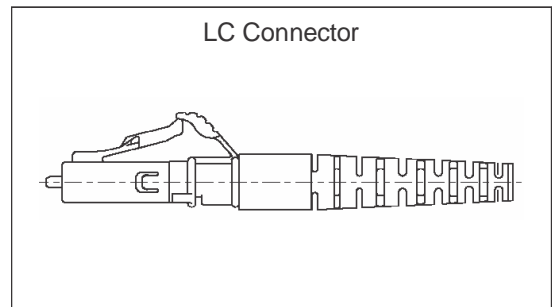
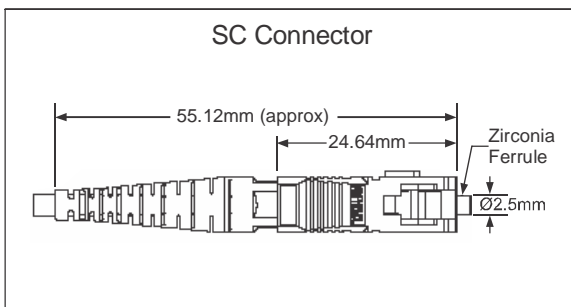
Shown trademarks are property of their respective owners.

While the information contained herein in this catalog, has been carefully compiled to the best of our knowledge, nothing is intended as representation and warranty on our part; and no statement shall be construed as recommendation to infringe any of existing patents. We accept no liability of whatsoever for any faults and errors in the information contained herein. Contents of this catalogue and specifications of the products, are subject to change without notice due to continuous improvements.

Connectors for Expanded Beam Receptacle – SC/ST/LC/FC Cable Sets



Expanded Beam Fiber Optic Bulkhead Receptacle



Shown trademarks are property of their respective owners.

While the information contained herein in this catalog, has been carefully compiled to the best of our knowledge, nothing is intended as representation and warranty on our part; and no statement shall be construed as recommendation to infringe any of existing patents. We accept no liability of whatsoever for any faults and errors in the information contained herein. Contents of this catalogue and specifications of the products, are subject to change without notice due to continuous improvements.

## Expanded Beam Receptacle – FC/ST/SC/LC FO Cable Sets for In-Box Applications

### Expanded Beam Square Flange Bulkhead Receptacle – SC Fiber Optic Cable Sets

P/N for Fiber Optic Assembly	Mode	Size	No. of Fibers	Conn. 1	Conn. 2 (X-Beam)	Len. Met.
STF-X-15SP/215BJ-2F/9SM/1M-DI065-00	Single	9/125	2	2xSC(M)	Sq. Fl. Bulkhead	1
STF-X-15SP/218BJ-4F/9SM/1M- DI065-00	Single	9/125	4	4xSC(M)	Sq. Fl. Bulkhead	1
STF-X-15SP/215BJ-2F/9SM/2M-DI065-00	Single	9/125	2	2xSC(M)	Sq. Fl. Bulkhead	2
STF-X-15SP/218BJ-4F/9SM/2M- DI065-00	Single	9/125	4	4xSC(M)	Sq. Fl. Bulkhead	2
STF-X-15SP/215BJ-2F/9SM/3M-DI065-00	Single	9/125	2	2xSC(M)	Sq. Fl. Bulkhead	3
STF-X-15SP/218BJ-4F/9SM/3M- DI065-00	Single	9/125	4	4xSC(M)	Sq. Fl. Bulkhead	3
STF-X-15SP/215BJ-2F/9SM/5M-DI065-00	Single	9/125	2	2xSC(M)	Sq. Fl. Bulkhead	5
STF-X-15SP/218BJ-4F/9SM/5M- DI065-00	Single	9/125	4	4xSC(M)	Sq. Fl. Bulkhead	5
STF-X-15SP/215BJ-2F/9SM/10M-DI065-00	Single	9/125	2	2xSC(M)	Sq. Fl. Bulkhead	10
STF-X-15SP/218BJ-4F/9SM/10M- DI065-00	Single	9/125	4	4xSC(M)	Sq. Fl. Bulkhead	10
STF-X-17SP/235BJ-2F/5MM/1M-DI065-00	Multi	50/125	2	2xSC(M)	Sq. Fl. Bulkhead	1
STF-X-17SP/238BJ-4F/5MM/1M-DI065-00	Multi	50/125	4	4xSC(M)	Sq. Fl. Bulkhead	1
STF-X-17SP/235BJ-2F/5MM/2M-DI065-00	Multi	50/125	2	2xSC(M)	Sq. Fl. Bulkhead	2
STF-X-17SP/238BJ-4F/5MM/2M-DI065-00	Multi	50/125	4	4xSC(M)	Sq. Fl. Bulkhead	2
STF-X-17SP/235BJ-2F/5MM/3M-DI065-00	Multi	50/125	2	2xSC(M)	Sq. Fl. Bulkhead	3
STF-X-17SP/238BJ-4F/5MM/3M-DI065-00	Multi	50/125	4	4xSC(M)	Sq. Fl. Bulkhead	3
STF-X-17SP/235BJ-2F/5MM/5M-DI065-00	Multi	50/125	2	2xSC(M)	Sq. Fl. Bulkhead	5
STF-X-17SP/238BJ-4F/5MM/5M-DI065-00	Multi	50/125	4	4xSC(M)	Sq. Fl. Bulkhead	5
STF-X-17SP/235BJ-2F/5MM/10M-DI065-00	Multi	50/125	2	2xSC(M)	Sq. Fl. Bulkhead	10
STF-X-17SP/238BJ-4F/5MM/10M-DI065-00	Multi	50/125	4	4xSC(M)	Sq. Fl. Bulkhead	10
STF-X-19SP/225BJ-2F/6MM/1M-DI065-00	Multi	62.5/125	2	2xSC(M)	Sq. Fl. Bulkhead	1
STF-X-19SP/228BJ-4F/6MM/1M-DI065-00	Multi	62.5/125	4	4xSC(M)	Sq. Fl. Bulkhead	1
STF-X-19SP/225BJ-2F/6MM/2M-DI065-00	Multi	62.5/125	2	2xSC(M)	Sq. Fl. Bulkhead	2
STF-X-19SP/228BJ-4F/6MM/2M-DI065-00	Multi	62.5/125	4	4xSC(M)	Sq. Fl. Bulkhead	2
STF-X-19SP/225BJ-2F/6MM/3M-DI065-00	Multi	62.5/125	2	2xSC(M)	Sq. Fl. Bulkhead	3
STF-X-19SP/228BJ-4F/6MM/3M-DI065-00	Multi	62.5/125	4	4xSC(M)	Sq. Fl. Bulkhead	3
STF-X-19SP/225BJ-2F/6MM/5M-DI065-00	Multi	62.5/125	2	2xSC(M)	Sq. Fl. Bulkhead	5
STF-X-19SP/228BJ-4F/6MM/5M-DI065-00	Multi	62.5/125	4	4xSC(M)	Sq. Fl. Bulkhead	5
STF-X-19SP/225BJ-2F/6MM/10M-DI065-00	Multi	62.5/125	2	2xSC(M)	Sq. Fl. Bulkhead	10
STF-X-19SP/228BJ-4F/6MM/10M-DI065-00	Multi	62.5/125	4	4xSC(M)	Sq. Fl. Bulkhead	10

Shown trademarks are property of their respective owners.

While the information contained herein in this catalog, has been carefully compiled to the best of our knowledge, nothing is intended as representation and warranty on our part; and no statement shall be construed as recommendation to infringe any of existing patents. We accept no liability of whatsoever for any faults and errors in the information contained herein. Contents of this catalogue and specifications of the products, are subject to change without notice due to continuous improvements.

**Expanded Beam Square Flange Bulkhead Receptacle – LC Fiber Optic Cable Sets**

P/N for Fiber Optic Assembly	Mode	Size	No. of Fibers	Conn. 1	Conn. 2 (X-Beam)	Len. Met.
STF-X-21SP/215BJ-2F/9SM/1M-DI065-00	Single	9/125	2	2xLC(M)	Sq. Fl. Bulkhead	1
STF-X-21SP/218BJ-4F/9SM/1M- DI065-00	Single	9/125	4	4xLC(M)	Sq. Fl. Bulkhead	1
STF-X-21SP/215BJ-2F/9SM/2M-DI065-00	Single	9/125	2	2xLC(M)	Sq. Fl. Bulkhead	2
STF-X-21SP/218BJ-4F/9SM/2M- DI065-00	Single	9/125	4	4xLC(M)	Sq. Fl. Bulkhead	2
STF-X-21SP/215BJ-2F/9SM/3M-DI065-00	Single	9/125	2	2xLC(M)	Sq. Fl. Bulkhead	3
STF-X-21SP/218BJ-4F/9SM/3M- DI065-00	Single	9/125	4	4xLC(M)	Sq. Fl. Bulkhead	3
STF-X-21SP/215BJ-2F/9SM/5M-DI065-00	Single	9/125	2	2xLC(M)	Sq. Fl. Bulkhead	5
STF-X-21SP/218BJ-4F/9SM/5M- DI065-00	Single	9/125	4	4xLC(M)	Sq. Fl. Bulkhead	5
STF-X-21SP/215BJ-2F/9SM/10M-DI065-00	Single	9/125	2	2xLC(M)	Sq. Fl. Bulkhead	10
STF-X-21SP/218BJ-4F/9SM/10M- DI065-00	Single	9/125	4	4xLC(M)	Sq. Fl. Bulkhead	10
STF-X-23SP/235BJ-2F/5MM/1M-DI065-00	Multi	50/125	2	2xLC(M)	Sq. Fl. Bulkhead	1
STF-X-23SP/238BJ-4F/5MM/1M-DI065-00	Multi	50/125	4	4xLC(M)	Sq. Fl. Bulkhead	1
STF-X-23SP/235BJ-2F/5MM/2M-DI065-00	Multi	50/125	2	2xLC(M)	Sq. Fl. Bulkhead	2
STF-X-23SP/238BJ-4F/5MM/2M-DI065-00	Multi	50/125	4	4xLC(M)	Sq. Fl. Bulkhead	2
STF-X-23SP/235BJ-2F/5MM/3M-DI065-00	Multi	50/125	2	2xLC(M)	Sq. Fl. Bulkhead	3
STF-X-23SP/238BJ-4F/5MM/3M-DI065-00	Multi	50/125	4	4xLC(M)	Sq. Fl. Bulkhead	3
STF-X-23SP/235BJ-2F/5MM/5M-DI065-00	Multi	50/125	2	2xLC(M)	Sq. Fl. Bulkhead	5
STF-X-23SP/238BJ-4F/5MM/5M-DI065-00	Multi	50/125	4	4xLC(M)	Sq. Fl. Bulkhead	5
STF-X-23SP/235BJ-2F/5MM/10M-DI065-00	Multi	50/125	2	2xLC(M)	Sq. Fl. Bulkhead	10
STF-X-23SP/238BJ-4F/5MM/10M-DI065-00	Multi	50/125	4	4xLC(M)	Sq. Fl. Bulkhead	10
STF-X-25SP/225BJ-2F/6MM/1M-DI065-00	Multi	62.5/125	2	2xLC(M)	Sq. Fl. Bulkhead	1
STF-X-25SP/228BJ-4F/6MM/1M-DI065-00	Multi	62.5/125	4	4xLC(M)	Sq. Fl. Bulkhead	1
STF-X-25SP/225BJ-2F/6MM/2M-DI065-00	Multi	62.5/125	2	2xLC(M)	Sq. Fl. Bulkhead	2
STF-X-25SP/228BJ-4F/6MM/2M-DI065-00	Multi	62.5/125	4	4xLC(M)	Sq. Fl. Bulkhead	2
STF-X-25SP/225BJ-2F/6MM/3M-DI065-00	Multi	62.5/125	2	2xLC(M)	Sq. Fl. Bulkhead	3
STF-X-25SP/228BJ-4F/6MM/3M-DI065-00	Multi	62.5/125	4	4xLC(M)	Sq. Fl. Bulkhead	3
STF-X-25SP/225BJ-2F/6MM/5M-DI065-00	Multi	62.5/125	2	2xLC(M)	Sq. Fl. Bulkhead	5
STF-X-25SP/228BJ-4F/6MM/5M-DI065-00	Multi	62.5/125	4	4xLC(M)	Sq. Fl. Bulkhead	5
STF-X-25SP/225BJ-2F/6MM/10M-DI065-00	Multi	62.5/125	2	2xLC(M)	Sq. Fl. Bulkhead	10
STF-X-25SP/228BJ-4F/6MM/10M-DI065-00	Multi	62.5/125	4	4xLC(M)	Sq. Fl. Bulkhead	10

Shown trademarks are property of their respective owners.

While the information contained herein in this catalog, has been carefully compiled to the best of our knowledge, nothing is intended as representation and warranty on our part; and no statement shall be construed as recommendation to infringe any of existing patents. We accept no liability of whatsoever for any faults and errors in the information contained herein. Contents of this catalogue and specifications of the products, are subject to change without notice due to continuous improvements.