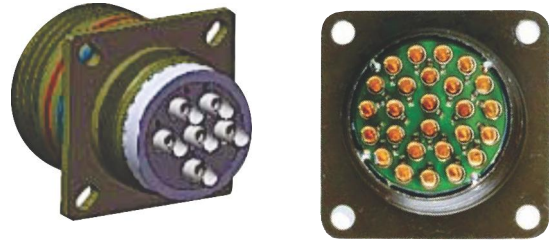


## Hi-Rel Filtered D38999 Connectors (MIL-38999 Series III Based)

Choice of 'C' and 'Pi' Filters • Various Capacitance Values in Stock • In-stock, small qty like 5 pcs welcome

We stock and supply Hi-Reliability filtered D38999 connectors. We use ONLY MIL-38999 Series III QPL listed connectors for this purpose. Filter types include 'C' and 'Pi' filters in a range of capacitance values. We not only offer standard products but also custom filtered connectors for application specific needs.



### FEATURES OF HI-REL FILTERED D38999 Connectors from us

- We use only MIL-38999 Series III QPL listed connectors for our filtered connectors from suppliers like Deutsch, Aero Inc amongst others
- Wide variety of capacitance values include 100pF, 330pF, 470pF, 1000pF, 4000pF. Other values on request.
- Plug, Receptacles, PC Mount Filtered types available
- Shell sizes include B, C, D, E amongst others.



### ADVANTAGES OF Hi-Rel Filtered Connectors from us:

- Many capacitance values & filters available from stock
- Free samples possible for projects
- Small quantities like 5 pieces welcome
- Available in cash purchase for small quantity

### Specifications of D38999 Series III series connectors

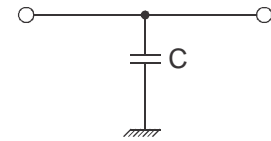
Parameter	Specifications
MIL Qualification	MIL-DTL-38999 Series III Qualified
Shell Material	Aluminium Alloy
Shell Plating	Olive drab cadmium
Insulator	Thermoplastic or thermoset
Contacts	Copper Alloy
Contacts Plating	Gold over Nickel plated
Endurance	500 mating / unmating operations
Shock	300G for 3 ms
Vibration	60G sine, 44G random
Temperature Range	-65 to +200°C
Insulation Resistance	>5000 MOhms (at 500Vdc)

Shown trademarks are property of their respective owners.

While the information contained herein in this catalog, has been carefully compiled to the best of our knowledge, nothing is intended as representation and warranty on our part; and no statement shall be construed as recommendation to infringe any of existing patents. We accept no liability of whatsoever for any faults and errors in the information contained herein. Contents of this catalogue and specifications of the products, are subject to change without notice due to continuous improvements.

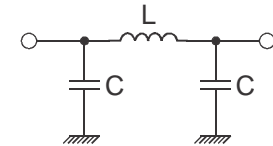
## Types of Filters - 'C' filters

We offer capacitive filters utilizing SMD chip caps to filter higher frequency noise. Capacitance values are selectable on a pin-by-pin basis. These chip cap filter solutions provide upto 45dB of insertion loss and are selectable from a variety of capacitance values.



## Types of Filters - 'Pi' filters

For higher levels of filtering, we also offer Pi filters utilizing SMD chip technology. These types offer upto 70dB of insertion loss across the frequency spectrum and come in various capacitance values to meet specific filtering needs of customer applications



## Insertion Loss Versus Frequency for 'C' Filters

Filter Type	Capacitance Value (pF)	Working Voltage VDC	Insertion Loss (dB)								
			1 MHz	5 MHz	10 MHz	30 MHz	50 MHz	100 MHz	300 MHz	500 MHz	1 GHz
'C'	330	100V	-	-	-	2	6	13	50	41	34
'C'	470	100V	-	-	-	3	8	15	42	33	30
'C'	820	100V	-	-	2	8	13	22	37	36	30
'C'	1000	100V	-	-	5	13	17	23	33	37	43
'C'	4000	100V	-	8	14	23	27	31	39	44	46

## Insertion Loss Versus Frequency for 'Pi' Filters

Filter Type	Capacitance Value (pF)	Working Voltage VDC	Insertion Loss (dB)								
			1 MHz	5 MHz	10 MHz	30 MHz	50 MHz	100 MHz	300 MHz	500 MHz	1 GHz
'Pi'	100	100V	-	-	-	-	-	1	25	43	55
'Pi'	330	100V	-	-	-	5	8	14	26	37	44
'Pi'	1000	100V	-	-	1	9	15	27	59	50	43
'Pi'	2500	100V	-	3	7	18	28	46	61	53	49
'Pi'	4000	100V	-	7	12	24	34	47	65	75	78

## STEPS TO CHOOSE THE CORRECT FILTERED CONNECTOR

### • Step 1: Choose Filter

From the insertion loss tables select filter that meets your target suppression frequency range. The chosen filter should not suppress the passband signal frequency by more than 4 dB.

### • Step 2: Choose Connector

Choose connector type - PC Mount or Solder Cup type and further wallmount or jamnut. Choose the connector shell size and number of contacts needed for your application.

Shown trademarks are property of their respective owners.

While the information contained herein in this catalog, has been carefully compiled to the best of our knowledge, nothing is intended as representation and warranty on our part; and no statement shall be construed as recommendation to infringe any of existing patents. We accept no liability of whatsoever for any faults and errors in the information contained herein. Contents of this catalogue and specifications of the products, are subject to change without notice due to continuous improvements.

# Hi-Rel Filtered D38999 Connectors (MIL-38999 Series III Based)

Choice of 'C' and 'Pi' Filters • Various Capacitance Values in Stock • In-stock, small qty like 5 pcs welcome

## FREQUENTLY ASKED QUESTIONS

**Q1) What is the need for filtered MIL-38999 Connectors?**

A1) Filtered connectors are an effective means for EMI compliance because the cables act as antenna and pickup radiated signal which are then transmitted back conductively. The filtered connectors provide an effective solution against this since they block the high frequency noises and allow the signals to pass through. This also works in the other direction as well.

**Q2) What is the make of connectors you use for your MIL-38999 Filtered connectors?**

A2) We use only MIL-38999 QPL suppliers like Deutsch, Aero Inc or equivalent

**Q3) What are the types of filter technologies you can provide?**

A3) - We offer 'C' and 'Pi' filters  
 - Diodes for transient suppression

**Q4) What are the shell styles, insert patterns you can supply?**

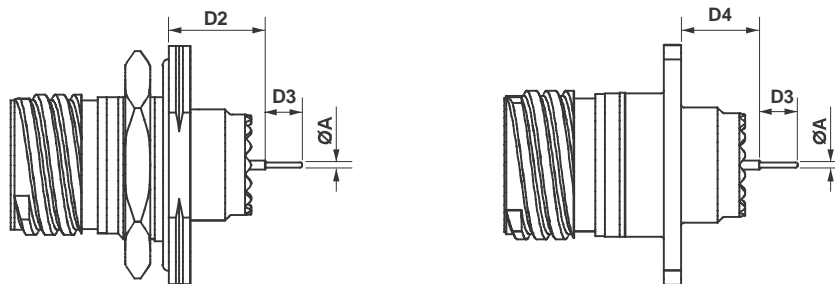
A4) Please see the following pages in this catalog

**Q5) What does the customer need to specify to arrive at correct solution?**

A5) - Frequency Band & accordingly choose capacitance and type of filter  
 - Whether transient suppression is needed

**Q6) Can you supply small quantities?**

A6) We can provide small quantities like 3~10 pieces



### Dimensional Details of Various PC Tail Connectors - per Shell size

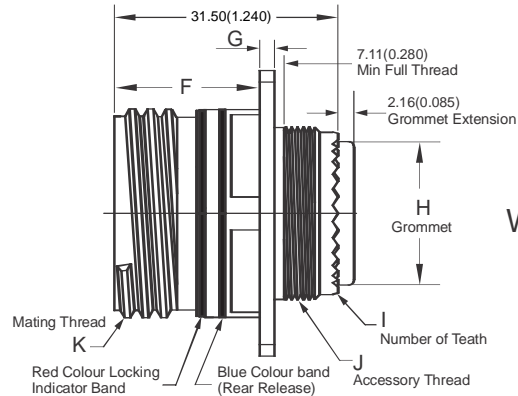
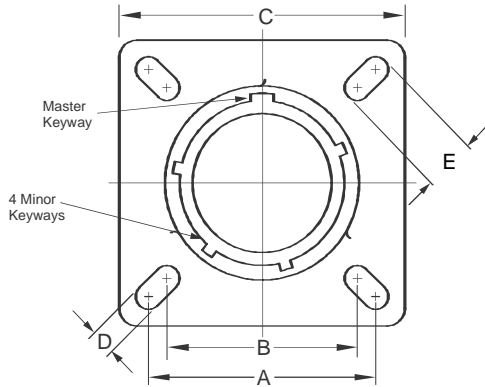
Dimensions	Shell size		09 (A)	11 (B)	13 (C)	15 (D)	17 (E)	19 (F)	21 (G)	23 (H)	25 (J)	
	Contact size	Type										
A (mm)	#22D	M & F	0.70									
D2 (mm)	#22D	M	10.5 ~ 11.4	10.3 ~ 11.3								
	#22D	F	10.2 ~ 11.5	10.0 ~ 11.3								
D3 (mm)	#22D	M & F	8.50									
D4 (mm)	#22D	M	9.5 ~ 10.6						9.5 ~ 10.7			
	#22D	F	9.2 ~ 10.6						9.3 ~ 10.7			

Shown trademarks are property of their respective owners.

While the information contained herein in this catalog, has been carefully compiled to the best of our knowledge, nothing is intended as representation and warranty on our part; and no statement shall be construed as recommendation to infringe any of existing patents. We accept no liability of whatsoever for any faults and errors in the information contained herein. Contents of this catalogue and specifications of the products, are subject to change without notice due to continuous improvements.

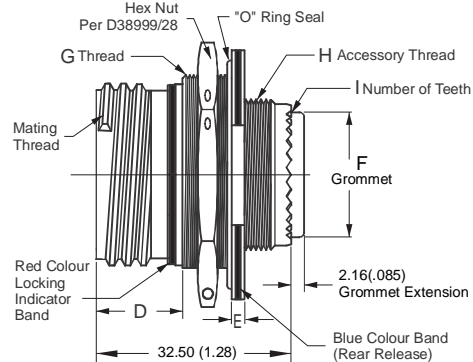
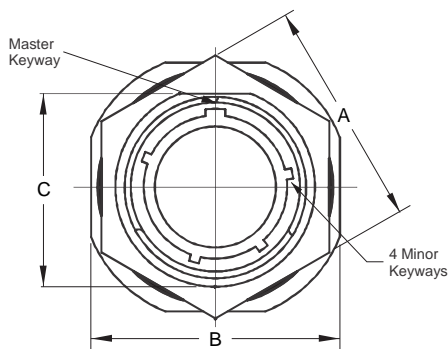
# Hi-Rel Filtered D38999 Connectors (MIL-38999 Series III Based)

Choice of 'C' and 'Pi' Filters • Various Capacitance Values in Stock • In-stock, small qty like 5 pcs welcome



**D38999  
Wallmount**  
Unit: mm(inch)

Shell Size	A		B		C		D		E		F		G		H (dia)		I No. of Teeth
	(TP)		(TP)		±.012	±.30	±.008	±.20	±.008	±.20	Maximum		Maximum		Maximum		
	inch	mm	inch	mm	inch	mm	inch	mm	inch	mm	inch	mm	inch	mm	inch	mm	
A	.719	18.26	.594	15.09	.937	23.80	.128	3.25	.216	5.49	.820	20.83	.098	2.50	.299	7.59	12
B	.812	20.62	.719	18.26	1.031	26.20	.128	3.25	.194	4.93	.820	20.83	.098	2.50	.427	10.85	16
C	.906	23.01	.812	20.62	1.126	28.60	.128	3.25	.194	4.93	.820	20.83	.098	2.50	.541	13.74	20
D	.969	24.61	.906	23.01	1.220	31.00	.128	3.25	.173	4.39	.820	20.83	.098	2.50	.666	16.92	24
E	1.062	26.97	.969	24.61	1.311	33.30	.128	3.25	.194	4.93	.820	20.83	.098	2.50	.791	20.09	28
F	1.156	29.36	1.062	26.97	1.437	36.50	.128	3.25	.194	4.93	.820	20.83	.098	2.50	.897	22.78	32
G	1.250	31.75	1.156	29.36	1.563	39.70	.128	3.25	.194	4.93	.790	20.07	.126	3.20	1.022	25.96	36
H	1.375	34.93	1.250	31.75	1.689	42.90	.154	3.91	.242	6.15	.790	20.07	.126	3.20	1.147	29.13	40
J	1.500	38.10	1.375	34.93	1.811	46.00	.154	3.91	.242	6.15	.790	20.07	.126	3.20	1.272	32.31	44



**D38999  
Jamnut**  
Unit: mm(inch)

Shell Size	A		B		C		D		E		F (dia)		G	I No. of Teeth
			±.016	±.40	+0.04	+1.10	+0.24	+0.60	+0.35	+0.90	Maximum		Jam Nut	
	inch	mm	inch	mm	inch	mm	inch	mm	inch	mm	inch	mm	0.100R	
A	.94/.86	24.0/21.82	1.063	27.00	.651	16.53	.555	14.10	.087	2.20	.299	7.59	M17x1-6g	12
B	1.063/.98	27.0/24.99	1.252	31.80	.751	19.07	.555	14.10	.087	2.20	.427	10.85	M20x1-6g	16
C	1.25/1.17	32.0/29.77	1.374	34.90	.938	23.82	.555	14.10	.087	2.20	.541	13.74	M25x1-6g	20
D	1.42/1.29	36.0/32.91	1.500	38.10	1.062	26.97	.555	14.10	.087	2.20	.666	16.92	M28x1-6g	24
E	1.45/1.42	37.0/36.12	1.626	41.30	1.187	30.15	.555	14.10	.087	2.20	.791	20.09	M32x1-6g	28
F	1.61/1.54	41.0/39.26	1.811	46.00	1.312	33.32	.555	14.10	.118	3.00	.897	22.78	M35x1-6g	32
G	1.81/1.67	46.0/42.47	1.937	49.20	1.437	36.50	.555	14.10	.118	3.00	1.022	25.96	M38x1-6g	36
H	1.97/1.79	50.0/45.61	2.063	52.40	1.562	39.67	.555	14.10	.118	3.00	1.147	29.13	M41x1-6g	40
J	2.02/1.94	51.2/49.25	2.189	55.60	1.687	42.85	.555	14.10	.118	3.00	1.272	32.31	M44x1-6g	44

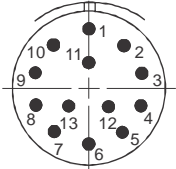
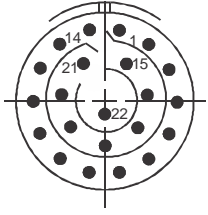
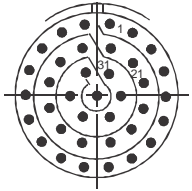
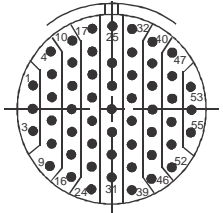
Shown trademarks are property of their respective owners.

While the information contained herein in this catalog, has been carefully compiled to the best of our knowledge, nothing is intended as representation and warranty on our part; and no statement shall be construed as recommendation to infringe any of existing patents. We accept no liability of whatsoever for any faults and errors in the information contained herein. Contents of this catalogue and specifications of the products, are subject to change without notice due to continuous improvements.

# Hi-Rel Filtered D38999 Connectors (MIL-38999 Series III Based)

Choice of 'C' and 'Pi' Filters • Various Capacitance Values in Stock • In-stock, small qty like 5 pcs welcome

## D38999 Filtered Circular Connectors, *Wallmount, Solder Cups*

Ordering Code (Filtered Connector)	Type	Filter Type	Capacit. pF	No of Contacts	Contact Size	Insert Pattern
D38999/20WB35PN-Pi-100	Solder Cup	Pi	100	13	22D	
D38999/20WB35PN-Pi-330	Solder Cup	Pi	330	13	22D	
D38999/20WB35PN-Pi-1000	Solder Cup	Pi	1000	13	22D	
D38999/20WB35PN-Pi-2500	Solder Cup	Pi	2500	13	22D	
D38999/20WB35PN-Pi-4000	Solder Cup	Pi	4000	13	22D	
D38999/20WB35PN-C-330	Solder Cup	C	330	13	22D	
D38999/20WB35PN-C-470	Solder Cup	C	470	13	22D	
D38999/20WB35PN-C-820	Solder Cup	C	820	13	22D	
D38999/20WB35PN-C-1000	Solder Cup	C	1000	13	22D	
D38999/20WB35PN-C-4000	Solder Cup	C	4000	13	22D	
D38999/20WC35PN-Pi-100	Solder Cup	Pi	100	22	22D	
D38999/20WC35PN-Pi-330	Solder Cup	Pi	330	22	22D	
D38999/20WC35PN-Pi-1000	Solder Cup	Pi	1000	22	22D	
D38999/20WC35PN-Pi-2500	Solder Cup	Pi	2500	22	22D	
D38999/20WC35PN-Pi-4000	Solder Cup	Pi	4000	22	22D	
D38999/20WC35PN-C-330	Solder Cup	C	330	22	22D	
D38999/20WC35PN-C-470	Solder Cup	C	470	22	22D	
D38999/20WC35PN-C-820	Solder Cup	C	820	22	22D	
D38999/20WC35PN-C-1000	Solder Cup	C	1000	22	22D	
D38999/20WC35PN-C-4000	Solder Cup	C	4000	22	22D	
D38999/20WD35PN-Pi-100	Solder Cup	Pi	100	37	22D	
D38999/20WD35PN-Pi-330	Solder Cup	Pi	330	37	22D	
D38999/20WD35PN-Pi-1000	Solder Cup	Pi	1000	37	22D	
D38999/20WD35PN-Pi-2500	Solder Cup	Pi	2500	37	22D	
D38999/20WD35PN-Pi-4000	Solder Cup	Pi	4000	37	22D	
D38999/20WD35PN-C-330	Solder Cup	C	330	37	22D	
D38999/20WD35PN-C-470	Solder Cup	C	470	37	22D	
D38999/20WD35PN-C-820	Solder Cup	C	820	37	22D	
D38999/20WD35PN-C-1000	Solder Cup	C	1000	37	22D	
D38999/20WD35PN-C-4000	Solder Cup	C	4000	37	22D	
D38999/20WE35PN-Pi-100	Solder Cup	Pi	100	55	22D	
D38999/20WE35PN-Pi-330	Solder Cup	Pi	330	55	22D	
D38999/20WE35PN-Pi-1000	Solder Cup	Pi	1000	55	22D	
D38999/20WE35PN-Pi-2500	Solder Cup	Pi	2500	55	22D	
D38999/20WE35PN-Pi-4000	Solder Cup	Pi	4000	55	22D	
D38999/20WE35PN-C-330	Solder Cup	C	330	55	22D	
D38999/20WE35PN-C-470	Solder Cup	C	470	55	22D	
D38999/20WE35PN-C-820	Solder Cup	C	820	55	22D	
D38999/20WE35PN-C-1000	Solder Cup	C	1000	55	22D	
D38999/20WE35PN-C-4000	Solder Cup	C	4000	55	22D	

Note 1) Unless and otherwise specified, connectors are aluminium shell, olive drab

Note 2) Above part numbers show normal keying. Other keying options like 'A', 'B' etc available.  
Pls substitute in P/N instead of 'N'

Note 3) In addition to above insert patterns other customer specified patterns available on request.

Shown trademarks are property of their respective owners.

While the information contained herein in this catalog, has been carefully compiled to the best of our knowledge, nothing is intended as representation and warranty on our part; and no statement shall be construed as recommendation to infringe any of existing patents. We accept no liability of whatsoever for any faults and errors in the information contained herein. Contents of this catalogue and specifications of the products, are subject to change without notice due to continuous improvements.

# Hi-Rel Filtered D38999 Connectors (MIL-38999 Series III Based)

Choice of 'C' and 'Pi' Filters • Various Capacitance Values in Stock • In-stock, small qty like 5 pcs welcome



## D38999 Filtered Circular Connectors, *Jamnut, Solder Cups*

Ordering Code (Filtered Connector)	Type	Filter Type	Capacit. pF	No of Contacts	Contact Size	Insert Pattern
D38999/24WB35PN-Pi-100	Solder Cup	Pi	100	13	22D	
D38999/24WB35PN-Pi-330	Solder Cup	Pi	330	13	22D	
D38999/24WB35PN-Pi-1000	Solder Cup	Pi	1000	13	22D	
D38999/24WB35PN-Pi-2500	Solder Cup	Pi	2500	13	22D	
D38999/24WB35PN-Pi-4000	Solder Cup	Pi	4000	13	22D	
D38999/24WB35PN-C-330	Solder Cup	C	330	13	22D	
D38999/24WB35PN-C-470	Solder Cup	C	470	13	22D	
D38999/24WB35PN-C-820	Solder Cup	C	820	13	22D	
D38999/24WB35PN-C-1000	Solder Cup	C	1000	13	22D	
D38999/24WB35PN-C-4000	Solder Cup	C	4000	13	22D	
D38999/24WC35PN-Pi-100	Solder Cup	Pi	100	22	22D	
D38999/24WC35PN-Pi-330	Solder Cup	Pi	330	22	22D	
D38999/24WC35PN-Pi-1000	Solder Cup	Pi	1000	22	22D	
D38999/24WC35PN-Pi-2500	Solder Cup	Pi	2500	22	22D	
D38999/24WC35PN-Pi-4000	Solder Cup	Pi	4000	22	22D	
D38999/24WC35PN-C-330	Solder Cup	C	330	22	22D	
D38999/24WC35PN-C-470	Solder Cup	C	470	22	22D	
D38999/24WC35PN-C-820	Solder Cup	C	820	22	22D	
D38999/24WC35PN-C-1000	Solder Cup	C	1000	22	22D	
D38999/24WC35PN-C-4000	Solder Cup	C	4000	22	22D	
D38999/24WD35PN-Pi-100	Solder Cup	Pi	100	37	22D	
D38999/24WD35PN-Pi-330	Solder Cup	Pi	330	37	22D	
D38999/24WD35PN-Pi-1000	Solder Cup	Pi	1000	37	22D	
D38999/24WD35PN-Pi-2500	Solder Cup	Pi	2500	37	22D	
D38999/24WD35PN-Pi-4000	Solder Cup	Pi	4000	37	22D	
D38999/24WD35PN-C-330	Solder Cup	C	330	37	22D	
D38999/24WD35PN-C-470	Solder Cup	C	470	37	22D	
D38999/24WD35PN-C-820	Solder Cup	C	820	37	22D	
D38999/24WD35PN-C-1000	Solder Cup	C	1000	37	22D	
D38999/24WD35PN-C-4000	Solder Cup	C	4000	37	22D	
D38999/24WE35PN-Pi-100	Solder Cup	Pi	100	55	22D	
D38999/24WE35PN-Pi-330	Solder Cup	Pi	330	55	22D	
D38999/24WE35PN-Pi-1000	Solder Cup	Pi	1000	55	22D	
D38999/24WE35PN-Pi-2500	Solder Cup	Pi	2500	55	22D	
D38999/24WE35PN-Pi-4000	Solder Cup	Pi	4000	55	22D	
D38999/24WE35PN-C-330	Solder Cup	C	330	55	22D	
D38999/24WE35PN-C-470	Solder Cup	C	470	55	22D	
D38999/24WE35PN-C-820	Solder Cup	C	820	55	22D	
D38999/24WE35PN-C-1000	Solder Cup	C	1000	55	22D	
D38999/24WE35PN-C-4000	Solder Cup	C	4000	55	22D	

- Note 1) Unless and otherwise specified, connectors are aluminium shell, olive drab  
 Note 2) Above part numbers show normal keying. Other keying options like 'A', 'B' etc available.  
 Pls substitute in P/N instead of 'N'  
 Note 3) In addition to above insert patterns other customer specified patterns available on request.

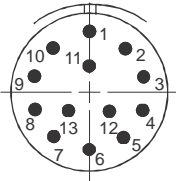
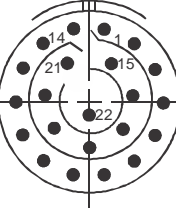
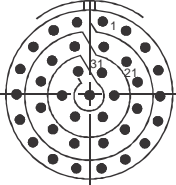
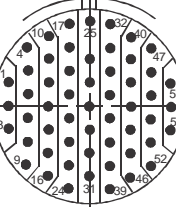
Shown trademarks are property of their respective owners.

While the information contained herein in this catalog, has been carefully compiled to the best of our knowledge, nothing is intended as representation and warranty on our part; and no statement shall be construed as recommendation to infringe any of existing patents. We accept no liability of whatsoever for any faults and errors in the information contained herein. Contents of this catalogue and specifications of the products, are subject to change without notice due to continuous improvements.

## Hi-Rel Filtered D38999 Connectors (MIL-38999 Series III Based)

Choice of 'C' and 'Pi' Filters • Various Capacitance Values in Stock • In-stock, small qty like 5 pcs welcome

### D38999 Filtered Circular Connectors, *Wallmount, PC Tails*

Ordering Code (Filtered Connector)	Type	Filter Type	Capacit. pF	No of Contacts	Contact Size	Insert Pattern
D38999/20WB35PN-PCL-Pi-100	PC Tail	Pi	100	13	22D	
D38999/20WB35PN-PCL-Pi-330	PC Tail	Pi	330	13	22D	
D38999/20WB35PN-PCL-Pi-1000	PC Tail	Pi	1000	13	22D	
D38999/20WB35PN-PCL-Pi-2500	PC Tail	Pi	2500	13	22D	
D38999/20WB35PN-PCL-Pi-4000	PC Tail	Pi	4000	13	22D	
D38999/20WB35PN-PCL-C-330	PC Tail	C	330	13	22D	
D38999/20WB35PN-PCL-C-470	PC Tail	C	470	13	22D	
D38999/20WB35PN-PCL-C-820	PC Tail	C	820	13	22D	
D38999/20WB35PN-PCL-C-1000	PC Tail	C	1000	13	22D	
D38999/20WB35PN-PCL-C-4000	PC Tail	C	4000	13	22D	
D38999/20WC35PN-PCL-Pi-100	PC Tail	Pi	100	22	22D	
D38999/20WC35PN-PCL-Pi-330	PC Tail	Pi	330	22	22D	
D38999/20WC35PN-PCL-Pi-1000	PC Tail	Pi	1000	22	22D	
D38999/20WC35PN-PCL-Pi-2500	PC Tail	Pi	2500	22	22D	
D38999/20WC35PN-PCL-Pi-4000	PC Tail	Pi	4000	22	22D	
D38999/20WC35PN-PCL-C-330	PC Tail	C	330	22	22D	
D38999/20WC35PN-PCL-C-470	PC Tail	C	470	22	22D	
D38999/20WC35PN-PCL-C-820	PC Tail	C	820	22	22D	
D38999/20WC35PN-PCL-C-1000	PC Tail	C	1000	22	22D	
D38999/20WC35PN-PCL-C-4000	PC Tail	C	4000	22	22D	
D38999/20WD35PN-PCL-Pi-100	PC Tail	Pi	100	37	22D	
D38999/20WD35PN-PCL-Pi-330	PC Tail	Pi	330	37	22D	
D38999/20WD35PN-PCL-Pi-1000	PC Tail	Pi	1000	37	22D	
D38999/20WD35PN-PCL-Pi-2500	PC Tail	Pi	2500	37	22D	
D38999/20WD35PN-PCL-Pi-4000	PC Tail	Pi	4000	37	22D	
D38999/20WD35PN-PCL-C-330	PC Tail	C	330	37	22D	
D38999/20WD35PN-PCL-C-470	PC Tail	C	470	37	22D	
D38999/20WD35PN-PCL-C-820	PC Tail	C	820	37	22D	
D38999/20WD35PN-PCL-C-1000	PC Tail	C	1000	37	22D	
D38999/20WD35PN-PCL-C-4000	PC Tail	C	4000	37	22D	
D38999/20WE35PN-PCL-Pi-100	PC Tail	Pi	100	55	22D	
D38999/20WE35PN-PCL-Pi-330	PC Tail	Pi	330	55	22D	
D38999/20WE35PN-PCL-Pi-1000	PC Tail	Pi	1000	55	22D	
D38999/20WE35PN-PCL-Pi-2500	PC Tail	Pi	2500	55	22D	
D38999/20WE35PN-PCL-Pi-4000	PC Tail	Pi	4000	55	22D	
D38999/20WE35PN-PCL-C-330	PC Tail	C	330	55	22D	
D38999/20WE35PN-PCL-C-470	PC Tail	C	470	55	22D	
D38999/20WE35PN-PCL-C-820	PC Tail	C	820	55	22D	
D38999/20WE35PN-PCL-C-1000	PC Tail	C	1000	55	22D	
D38999/20WE35PN-PCL-C-4000	PC Tail	C	4000	55	22D	

Note 1) Unless and otherwise specified, connectors are aluminium shell, olive drab

Note 2) Above part numbers show normal keying. Other keying options like 'A', 'B' etc available.

Pls substitute in P/N instead of 'N'

Note 3) In addition to above insert patterns other customer specified patterns available on request.

Shown trademarks are property of their respective owners.

While the information contained herein in this catalogue, has been carefully compiled to the best of our knowledge, nothing is intended as representation and warranty on our part; and no statement shall be construed as recommendation to infringe any of existing patents. We accept no liability of whatsoever for any faults and errors in the information contained herein. Contents of this catalogue and specifications of the products, are subject to change without notice due to continuous improvements.

# Hi-Rel Filtered D38999 Connectors (MIL-38999 Series III Based)

Choice of 'C' and 'Pi' Filters • Various Capacitance Values in Stock • In-stock, small qty like 5 pcs welcome



## D38999 Filtered Circular Connectors, Jamnut, PC Tails

Ordering Code (Filtered Connector)	Type	Filter Type	Capacit. pF	No of Contacts	Contact Size	Insert Pattern
D38999/24WB35PN-PCL-Pi-100	PC Tail	Pi	100	13	22D	
D38999/24WB35PN-PCL-Pi-330	PC Tail	Pi	330	13	22D	
D38999/24WB35PN-PCL-Pi-1000	PC Tail	Pi	1000	13	22D	
D38999/24WB35PN-PCL-Pi-2500	PC Tail	Pi	2500	13	22D	
D38999/24WB35PN-PCL-Pi-4000	PC Tail	Pi	4000	13	22D	
D38999/24WB35PN-PCL-C-330	PC Tail	C	330	13	22D	
D38999/24WB35PN-PCL-C-470	PC Tail	C	470	13	22D	
D38999/24WB35PN-PCL-C-820	PC Tail	C	820	13	22D	
D38999/24WB35PN-PCL-C-1000	PC Tail	C	1000	13	22D	
D38999/24WB35PN-PCL-C-4000	PC Tail	C	4000	13	22D	
D38999/24WC35PN-PCL-Pi-100	PC Tail	Pi	100	22	22D	
D38999/24WC35PN-PCL-Pi-330	PC Tail	Pi	330	22	22D	
D38999/24WC35PN-PCL-Pi-1000	PC Tail	Pi	1000	22	22D	
D38999/24WC35PN-PCL-Pi-2500	PC Tail	Pi	2500	22	22D	
D38999/24WC35PN-PCL-Pi-4000	PC Tail	Pi	4000	22	22D	
D38999/24WC35PN-PCL-C-330	PC Tail	C	330	22	22D	
D38999/24WC35PN-PCL-C-470	PC Tail	C	470	22	22D	
D38999/24WC35PN-PCL-C-820	PC Tail	C	820	22	22D	
D38999/24WC35PN-PCL-C-1000	PC Tail	C	1000	22	22D	
D38999/24WC35PN-PCL-C-4000	PC Tail	C	4000	22	22D	
D38999/24WD35PN-PCL-Pi-100	PC Tail	Pi	100	37	22D	
D38999/24WD35PN-PCL-Pi-330	PC Tail	Pi	330	37	22D	
D38999/24WD35PN-PCL-Pi-1000	PC Tail	Pi	1000	37	22D	
D38999/24WD35PN-PCL-Pi-2500	PC Tail	Pi	2500	37	22D	
D38999/24WD35PN-PCL-Pi-4000	PC Tail	Pi	4000	37	22D	
D38999/24WD35PN-PCL-C-330	PC Tail	C	330	37	22D	
D38999/24WD35PN-PCL-C-470	PC Tail	C	470	37	22D	
D38999/24WD35PN-PCL-C-820	PC Tail	C	820	37	22D	
D38999/24WD35PN-PCL-C-1000	PC Tail	C	1000	37	22D	
D38999/24WD35PN-PCL-C-4000	PC Tail	C	4000	37	22D	
D38999/24WE35PN-PCL-Pi-100	PC Tail	Pi	100	55	22D	
D38999/24WE35PN-PCL-Pi-330	PC Tail	Pi	330	55	22D	
D38999/24WE35PN-PCL-Pi-1000	PC Tail	Pi	1000	55	22D	
D38999/24WE35PN-PCL-Pi-2500	PC Tail	Pi	2500	55	22D	
D38999/24WE35PN-PCL-Pi-4000	PC Tail	Pi	4000	55	22D	
D38999/24WE35PN-PCL-C-330	PC Tail	C	330	55	22D	
D38999/24WE35PN-PCL-C-470	PC Tail	C	470	55	22D	
D38999/24WE35PN-PCL-C-820	PC Tail	C	820	55	22D	
D38999/24WE35PN-PCL-C-1000	PC Tail	C	1000	55	22D	
D38999/24WE35PN-PCL-C-4000	PC Tail	C	4000	55	22D	

- Note 1) Unless and otherwise specified, connectors are aluminium shell, olive drab
- Note 2) Above part numbers show normal keying. Other keying options like 'A', 'B' etc available. Pls substitute in P/N instead of 'N'
- Note 3) In addition to above insert patterns other customer specified patterns available on request.

Shown trademarks are property of their respective owners.

While the information contained herein in this catalog, has been carefully compiled to the best of our knowledge, nothing is intended as representation and warranty on our part; and no statement shall be construed as recommendation to infringe any of existing patents. We accept no liability of whatsoever for any faults and errors in the information contained herein. Contents of this catalogue and specifications of the products, are subject to change without notice due to continuous improvements.



## Specifications for Filtered MIL-38999 Connectors

- Connector MIL Qualification : QPL listed  
as per MIL-DTL-38999 Series III
- Connector Make : Reputed source like Deutsch, Aero Inc etc
- Filter Type : 'C' Filter
- Capacitance : ??? pF (on each connector Contact)
- Contacts to be EMI Filtered : All connector Contacts
- Working Voltage : 50 VDC
- Shell Material : Aluminium Alloy
- Shell Plating : Olive drab cadmium
- Insulator : Thermoplastic or thermoset
- Contacts : Copper Alloy
- Contacts Plating : Gold over Nickel plated
- Endurance : 500 mating / unmating operations
- Shock : 300G for 3 ms in 3 axes
- Vibration : Per MIL-38999
- Temperature Range : -65 to +200°C
- Insulation Resistance : >5000 MΩ (at 500Vdc)
- Salt Spray : 500 hours
- Withstanding Voltage (sea level) : > 1800 V
- Size : Should Match Standard D38999