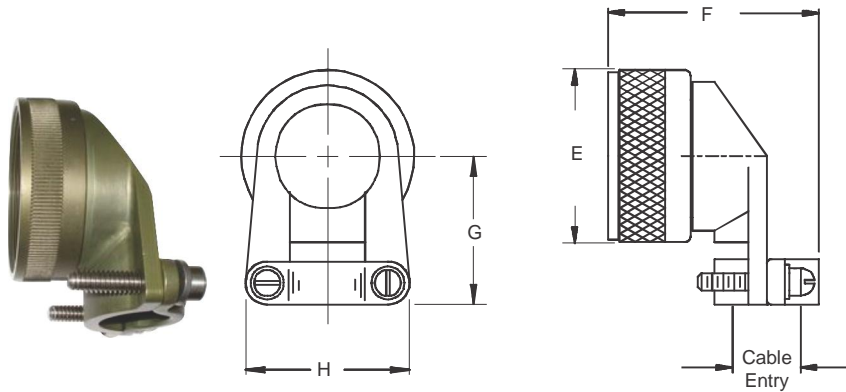


M85049/38 Strain Relief Backshell
Olive Drab,
Cadmium Finish

Straight type

Unit: inch (mm)

Shell Size	Shell Size Ref.	Part Number	D Dia Max	E Max	F Max	Cable Entry	
						Min	Max
9	A	M85049/38S9W	.858 (21.8)	.91 (23.1)	.85 (21.6)	.098 (2.5)	.234 (5.9)
11	B	M85049/38S11W	.984 (25.0)	.91 (23.1)	.90 (22.9)	.153 (3.9)	.234 (5.9)
13	C	M85049/38S13W	1.157 (29.4)	1.01 (25.7)	1.10 (27.9)	.190 (4.8)	.328 (8.3)
15	D	M85049/38S15W	1.279 (32.5)	1.06 (26.9)	1.15 (29.2)	.260 (6.6)	.457 (11.6)
17	E	M85049/38S17W	1.406 (35.7)	1.16 (29.5)	1.30 (33.0)	.283 (7.2)	.614 (15.6)
19	F	M85049/38S19W	1.516 (38.5)	1.41 (35.8)	1.50 (38.1)	.325 (8.3)	.634 (16.1)
21	G	M85049/38S21W	1.642 (41.7)	1.51 (38.4)	1.60 (40.6)	.343 (8.7)	.698 (17.7)
23	H	M85049/38S23W	1.768 (44.9)	1.66 (42.2)	1.70 (43.2)	.381 (9.7)	.823 (20.9)
25	J	M85049/38S25W	1.889 (48.0)	1.76 (44.7)	1.80 (45.7)	.418 (10.6)	.853 (21.7)



M85049/39 Strain Relief Backshell
Olive Drab,
Cadmium Finish

Right Angle type

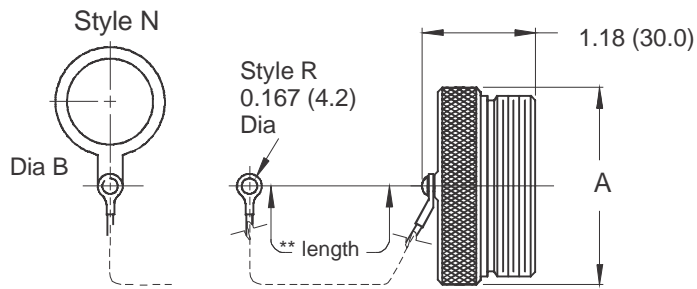
Unit: inch (mm)

Shell Size	Shell Size Ref.	Part Number	E Dia Max	F Max	G Max	H Max	Cable Entry	
							Min	Max
9	A	M85049/39S9W	.858 (21.8)	1.20 (30.5)	1.00 (25.4)	.85 (21.6)	.098 (2.5)	.234 (5.9)
11	B	M85049/39S11W	.984 (25.0)	1.20 (30.5)	1.10 (27.9)	.90 (22.9)	.153 (3.9)	.234 (5.9)
13	C	M85049/39S13W	1.157 (29.4)	1.40 (35.6)	1.10 (27.9)	1.10 (27.9)	.190 (4.8)	.328 (8.3)
15	D	M85049/39S15W	1.279 (32.5)	1.45 (36.8)	1.25 (31.8)	1.15 (29.2)	.260 (6.6)	.457 (11.6)
17	E	M85049/39S17W	1.406 (35.7)	1.60 (40.6)	1.30 (33.0)	1.30 (33.0)	.283 (7.2)	.614 (15.6)
19	F	M85049/39S19W	1.516 (38.5)	1.70 (43.2)	1.35 (34.3)	1.50 (38.1)	.325 (8.3)	.634 (16.1)
21	G	M85049/39S21W	1.642 (41.7)	1.85 (47.0)	1.60 (40.6)	1.60 (40.6)	.343 (8.7)	.698 (17.7)
23	H	M85049/39S23W	1.768 (44.9)	1.95 (49.5)	1.75 (44.5)	1.70 (43.2)	.381 (9.7)	.823 (20.9)
25	J	M85049/39S25W	1.889 (48.0)	2.10 (53.3)	1.85 (47.0)	1.80 (45.7)	.418 (10.6)	.853 (21.7)

Shown trademarks are property of their respective owners.

While the information contained herein in this catalog, has been carefully compiled to the best of our knowledge, nothing is intended as representation and warranty on our part; and no statement shall be construed as recommendation to infringe any of existing patents. We accept no liability of whatsoever for any faults and errors in the information contained herein. Contents of this catalogue and specifications of the products, are subject to change without notice due to continuous improvements.

M38999/3..... Series III Protection Caps



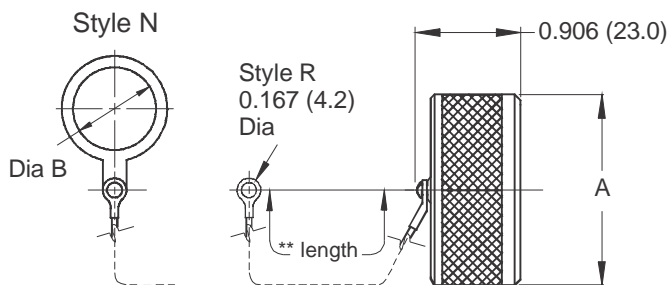
D38999/32 Protection Cap for Plugs

Metal Shell, Olive Drab

** Length 5.0 (127.0)

Unit: inch (mm)

Shell Size	Part Number R-Style	Part Number N-Style	A Max	B Min
9	D38999/32W9R	D38999/32W9N	.906 (23.0)	.512 (13.0)
11	D38999/32W11R	D38999/32W11N	1.024 (26.0)	.709 (18.0)
13	D38999/32W13R	D38999/32W13N	1.220 (31.0)	.787 (20.0)
15	D38999/32W15R	D38999/32W15N	1.300 (33.0)	.906 (23.0)
17	D38999/32W17R	D38999/32W17N	1.457 (37.0)	1.024 (26.0)
19	D38999/32W19R	D38999/32W19N	1.575 (40.0)	1.142 (29.0)
21	D38999/32W21R	D38999/32W21N	1.732 (44.0)	1.260 (32.0)
23	D38999/32W23R	D38999/32W23N	1.811 (46.0)	1.339 (34.0)
25	D38999/32W25R	D38999/32W25N	1.969 (50.0)	1.535 (39.0)



D38999/32 Protection Cap for Receptacles

Metal Shell, Olive Drab

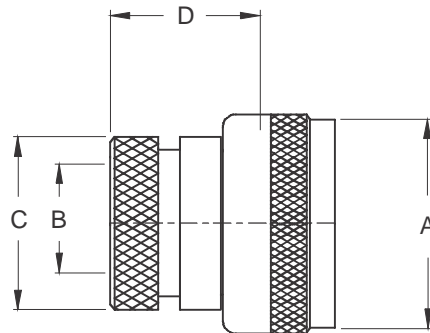
** Length 5.0 (127.0)

Unit: inch (mm)

Shell Size	Part Number R-Style	Part Number N-Style	A Max	B Min
9	D38999/33W9R	D38999/33W9N	.906 (23.0)	.694 (17.6)
11	D38999/33W11R	D38999/33W11N	1.102 (28.0)	.865 (22.0)
13	D38999/33W13R	D38999/33W13N	1.220 (31.0)	.989 (25.1)
15	D38999/33W15R	D38999/33W15N	1.260 (32.0)	1.178 (29.9)
17	D38999/33W17R	D38999/33W17N	1.457 (37.0)	1.260 (32.0)
19	D38999/33W19R	D38999/33W19N	1.535 (39.0)	1.428 (36.3)
21	D38999/33W21R	D38999/33W21N	1.654 (42.0)	1.506 (38.3)
23	D38999/33W23R	D38999/33W23N	1.772 (45.0)	1.678 (42.6)
25	D38999/33W25R	D38999/33W25N	1.929 (49.0)	1.750 (44.5)

Shown trademarks are property of their respective owners.

While the information contained herein in this catalog, has been carefully compiled to the best of our knowledge, nothing is intended as representation and warranty on our part; and no statement shall be construed as recommendation to infringe any of existing patents. We accept no liability of whatsoever for any faults and errors in the information contained herein. Contents of this catalogue and specifications of the products, are subject to change without notice due to continuous improvements.



**Shrink Boot Clamps
for D38999 connectors**

Anodized Black

Unit: inch (mm)

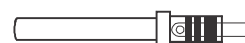
Shell Size	Part Number	A Dia Max	B Dia Min	C Dia Max	D Max
9	M85049/69-9A	.600 (15.24)	.250 (6.4)	.533 (13.5)	.710 (18.0)
11	M85049/69-11A	.717 (18.21)	.375 (9.5)	.605 (15.4)	.710 (18.0)
13	M85049/69-13A	.834 (21.18)	.500 (12.7)	.774 (19.7)	.710 (18.0)
15	M85049/69-15A	.990 (25.14)	.625 (15.9)	.838 (21.3)	.710 (18.0)
17	M85049/69-17A	1.107 (28.12)	.750 (19.1)	.963 (24.5)	.710 (18.0)
19	M85049/69-19A	1.224 (31.09)	.812 (20.6)	1.042 (26.5)	.710 (18.0)
21	M85049/69-21A	1.341 (34.06)	.938 (23.8)	1.217 (30.9)	.710 (18.0)
23	M85049/69-23A	1.453 (36.90)	1.062 (27.0)	1.355 (34.4)	.710 (18.0)
25	M85049/69-25A	1.567 (39.80)	1.188 (30.2)	1.443 (36.7)	.710 (18.0)

Contacts for MIL-38999 Series III Connectors

Contact Size	Application	Pin Contacts	Socket Contacts
	Type	MIL P/N	MIL P/N
22D	Power/Signal	M39029/58-360	M39029/56-348
20	Power/Signal	M39029/58-363	M39029/56-351
16	Power/Signal	M39029/58-364	M39029/56-352
12	Power/Signal	M39029/58-365	M39029/56-353



Pin Contacts



Socket Contacts

Contact and Wire Data

Contact Size	Test Current	Voltage	Wire Range		Finished Wire Range			
	DC Test	Max. Drop	AWG	mm ²	Minimum		Maximum	
	Amps	Millivolts			inch	mm	inch	mm
22D	5.0	73	28-22	.08-.33	.030	.76	.054	1.37
20	7.5	55	24-20	.20-.52	.040	1.02	.083	2.11
16	13.0	49	20-16	.52-1.31	.065	1.65	.109	2.77
12	23.0	42	14-12	2.08-3.31	.097	2.46	.142	3.61
10	33.0	33	12-10	3.31-5.26	.135	3.42	.162	4.12

Shown trademarks are property of their respective owners.

While the information contained herein in this catalog, has been carefully compiled to the best of our knowledge, nothing is intended as representation and warranty on our part; and no statement shall be construed as recommendation to infringe any of existing patents. We accept no liability of whatsoever for any faults and errors in the information contained herein. Contents of this catalogue and specifications of the products, are subject to change without notice due to continuous improvements.