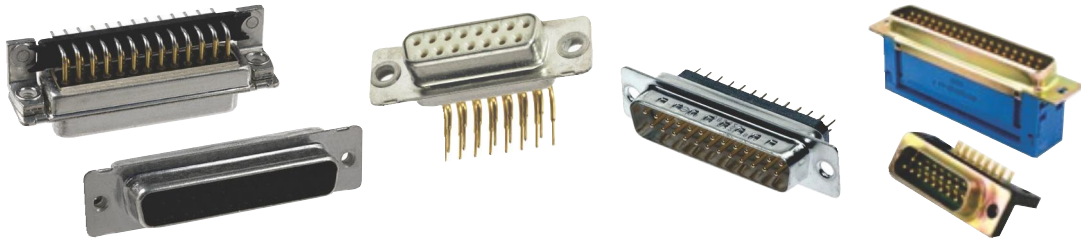


## Hi-Rel Filtered D-Sub Connectors (Based on MIL-24308 Connectors)

Choice of 'C' and 'Pi' Filters • Various Capacitance Values in Stock • In-stock, small qty like 5 pcs welcome



We stock and supply Hi-Reliability filtered D-Sub connectors. We use ONLY MIL-24308 QUALIFIED QPL connectors for this purpose. Filter types include 'C' and 'Pi' filters in a range of capacitance values. We not only offer standard products but also custom filtered connectors for application specific needs.



### FEATURES OF HI-REL FILTERED D-Sub Connectors from us

- We use only MIL-24308 QPL listed connectors for our filtered connectors, from suppliers like Cinch, Tyco
- Wide variety of capacitance values include 100pF, 330pF, 470pF, 1000pF, 4000pF. Other values on request.
- Plug, Receptacles, PC Mount Filtered D-Subs available • Shell sizes include 9,15, 25, 37 amongst others.

### ADVANTAGES OF Hi-Rel Filtered D-Sub Connectors from us:

- Many capacitance values & filters available from stock
- Free samples possible for projects
- Small quantities like 5 pieces welcome
- Available in cash purchase for small quantity

### Specifications for MIL-24308 D-Sub Connectors

Electrical Data		
Current Rating	7.5 A	
Contact Resistance	55mV at 7.5 A	
Insulation Resistance	5000 MΩ min. (initial) ; 1000 MΩ min. (after env. Testing)	
Test Voltage (sea Level)	1250 VAC	
Mechanical		
Mating Life	500 mating cycles min.	
Operating Temp.	-55°C ~ +125°C	
Vibration	12 cycles in 3 directions @10-2000Hz	MIL-STD-202 Method 204, Condition D
Shock	50 g's	MIL-STD-202 Method 213, Condition G
Moisture Resistance	90-95% RH @40°C for 96 hours	MIL-STD-202 Method 103
Materials and Platings		
	Materials	Plating
Pin Contact	Copper Alloy	Au Plated > 50 micro-inch over copper or nickel
Socket Contact	Copper Alloy	Au Plated > 50 micro-inch over copper or nickel
Metal Shell	Steel	Yellow Chromate finish over cadmium plating
Insulator	Glass filled diallyl phthalate per MIL-M-14, Type SDG-4	
Dual Float Bushing	Stainless Steel, Passivated	
Insulated Wire	PTFE, per MIL-W-22579 White or Color Coded per MIL-STD-681	

Shown trademarks are property of their respective owners.

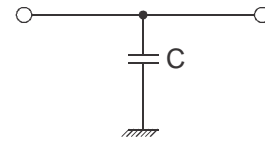
While the information contained herein in this catalog, has been carefully compiled to the best of our knowledge, nothing is intended as representation and warranty on our part; and no statement shall be construed as recommendation to infringe any of existing patents. We accept no liability of whatsoever for any faults and errors in the information contained herein. Contents of this catalogue and specifications of the products, are subject to change without notice due to continuous improvements.

## Hi-Rel Filtered D-Sub Connectors (Based on MIL-24308 Connectors)

Source include Cinch, Tyco • MIL-24308 Qualified, QPL Listed • In-stock, small Qty like 5 pcs welcome

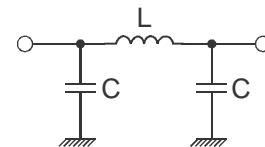
### Types of Filters - 'C' filters

We offer capacitive filters utilizing SMD chip caps to filter higher frequency noise. Capacitance values are selectable on a pin-by-pin basis. These chip cap filter solutions provide upto 45dB of insertion loss and are selectable from a variety of capacitance values.



### Types of Filters - 'Pi' filters

For higher levels of filtering, we also offer Pi filters utilizing SMD chip technology. These types offer upto 70dB of insertion loss across the frequency spectrum and come in various capacitance values to meet specific filtering needs of customer applications



### Insertion Loss Versus Frequency for 'C' Filters

Filter Type	Capacitance Value (pF)	Working Voltage VDC	Insertion Loss (dB)								
			1 MHz	5 MHz	10 MHz	30 MHz	50 MHz	100 MHz	300 MHz	500 MHz	1 GHz
'C'	330	100V	-	-	-	2	6	13	50	41	34
'C'	470	100V	-	-	-	3	8	15	42	33	30
'C'	820	100V	-	-	2	8	13	22	37	36	30
'C'	1000	100V	-	-	5	13	17	23	33	37	43
'C'	4000	100V	-	8	14	23	27	31	39	44	46

### Insertion Loss Versus Frequency for 'Pi' Filters

Filter Type	Capacitance Value (pF)	Working Voltage VDC	Insertion Loss (dB)								
			1 MHz	5 MHz	10 MHz	30 MHz	50 MHz	100 MHz	300 MHz	500 MHz	1 GHz
'Pi'	100	100V	-	-	-	-	-	1	25	43	55
'Pi'	330	100V	-	-	-	5	8	14	26	37	44
'Pi'	1000	100V	-	-	1	9	15	27	59	50	43
'Pi'	2500	100V	-	3	7	18	28	46	61	53	49
'Pi'	4000	100V	-	7	12	24	34	47	65	75	78

## STEPS TO CHOOSE THE CORRECT FILTERED CONNECTOR

### • Step 1: Choose Filter

From the insertion loss tables select filter that meets your target suppression frequency range. The chosen filter should not suppress the passband signal frequency by more than 4 dB.

### • Step 2: Choose Connector

Choose connector type - PC Mount or Solder Cup type and further wallmount or jamnut. Choose the connector shell size and number of contacts needed for your application.

Shown trademarks are property of their respective owners.

While the information contained herein in this catalogue, has been carefully compiled to the best of our knowledge, nothing is intended as representation and warranty on our part; and no statement shall be construed as recommendation to infringe any of existing patents. We accept no liability of whatsoever for any faults and errors in the information contained herein. Contents of this catalogue and specifications of the products, are subject to change without notice due to continuous improvements.

### FREQUENTLY ASKED QUESTIONS

**Q1) What is the need for filtered MIL-24308 Connectors?**

A1) Filtered connectors are an effective means for EMI compliance because the cables act as antenna and pickup radiated signal which are then transmitted back conductively. The filtered connectors provide an effective solution against this since they block the high frequency noise while allowing the signals to pass through. This also works in the other direction as well.

**Q2) What is the make of connectors you use for your MIL-24308 Filtered connectors?**

A2) We use only MIL-24308 QPL suppliers like Cinch, Tyco or equivalent

**Q3) What is the types of filter technologies you can provide?**

A3) - We offer 'C' and 'Pi' filters  
- Diodes for transient suppression

**Q4) Where do you source the LC filter arrays?**

A4) We import these from our suppliers in US/Europe

**Q5) What are the shell styles, insert patterns you can supply?**

A5) Please see the following pages in this catalog

**Q6) What does the customer need to specify to arrive at correct solution?**

A6) - Frequency Band & accordingly choose capacitance and type of filter  
- Whether transient suppression is needed - in this case choose diode option

**Q7) Can you supply small quantities?**

A7) We can provide small quantities like 3~10 pieces

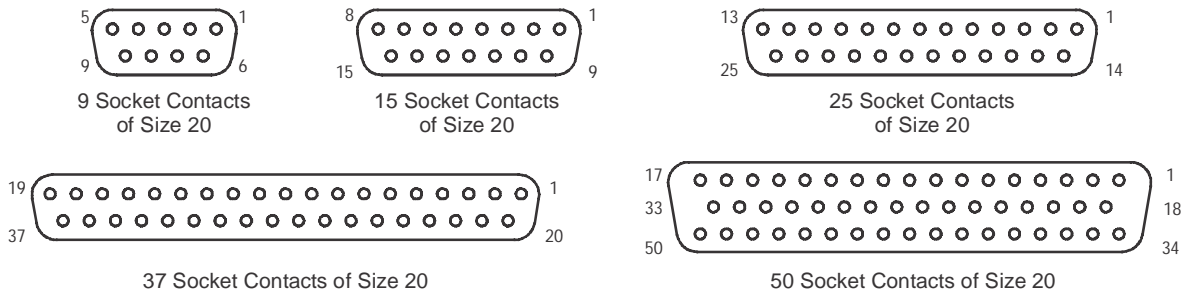
**Q8) Apart from filtered connector do you provide other EMI/EMC solutions?**

A8) In addition to filtered connectors we also provide:  
- Feedthrough EMI filters (for chassis mounting), resin sealed, hermetically sealed.  
- Shielded cable harnesses with MIL connectors (38999, D-Sub etc)  
- SMD type feedthrough filters  
- Plate mounted filter arrays

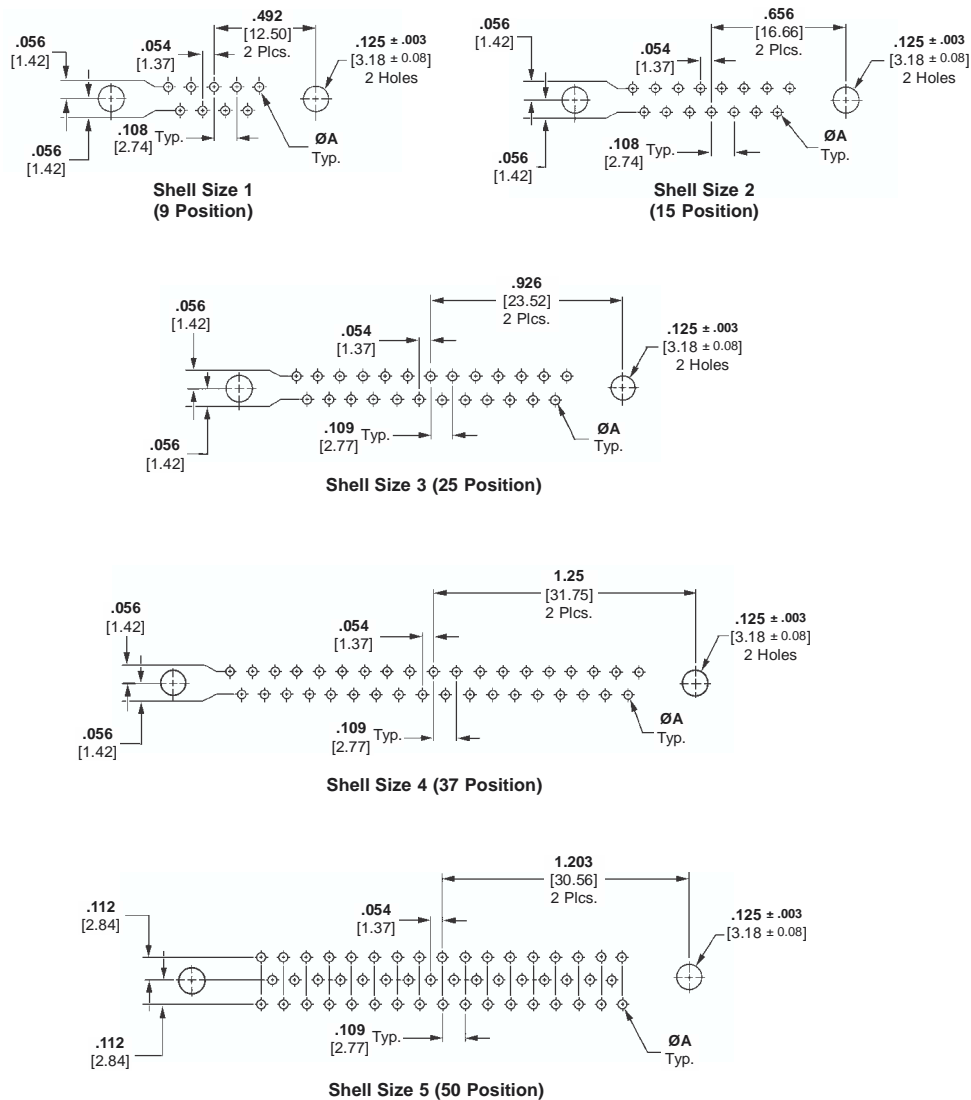
# Hi-Rel Filtered D-Sub Connectors (Based on MIL-24308 Connectors)

Source include Cinch, Tyco • MIL-24308 Qualified, QPL Listed • In-stock, small Qty like 5 pcs welcome

## Filtered D-Sub Connectors, Insert Arrangement



## PCB Layouts for Filtered D-Sub Connectors, PC Mount (Standard Density)



Shown trademarks are property of their respective owners.

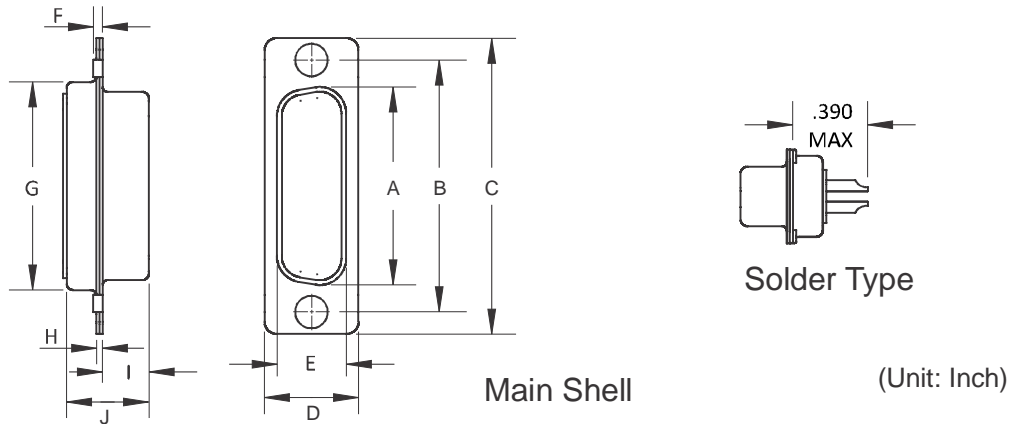
While the information contained herein in this catalog, has been carefully compiled to the best of our knowledge, nothing is intended as representation and warranty on our part; and no statement shall be construed as recommendation to infringe any of existing patents. We accept no liability of whatsoever for any faults and errors in the information contained herein. Contents of this catalogue and specifications of the products, are subject to change without notice due to continuous improvements.

# Hi-Rel Filtered D-Sub Connectors (Based on MIL-24308 Connectors)

Choice of 'C' and 'Pi' Filters • Various Capacitance Values in Stock • In-stock, small qty like 5 pcs welcome



## D-Sub Filtered Connectors, Receptacles, Solder Cups



Shell Size	A ±.005	B ±.005	C ±.015	D ±.015	E ±.005	F ±.010	G ±.010	H ±.010	I ±.004	J ±.010
Size 1 Plug Size 1 Socket	.666 .643	.984	1.213	.494	.329 .311	.045	.759	.030	.234 .243	.422 .429
Size 2 Plug Size 2 Socket	.994 .971	1.312	1.541	.494	.329 .311	.045	1.083	.030	.234 .243	.422 .429
Size 3 Plug Size 3 Socket	1.534 1.511	1.852	2.088	.494	.329 .311	.060 .045	1.625	.039 .030	.230 .243	.426 .429
Size 4 Plug Size 4 Socket	2.182 2.159	2.500	2.729	.494	.329 .311	.060 .045	2.272	.039 .030	.230 .243	.426 .429
Size 5 Plug Size 5 Socket	2.079 2.064	2.406	2.635	.605	.441 .423	.060 .045	2.178	.039 .030	.230 .243	.426 .429

### Solder Cup Receptacles, Filtered Connectors

Ordering Code (Filtered D-Sub)	Shell Size	No of Contacts	Filter Type	Capacit. pF
M24308/1-23F-Pi-100	1	9	Pi	100
M24308/1-23F-Pi-330	1	9	Pi	330
M24308/1-23F-Pi-1000	1	9	Pi	1000
M24308/1-23F-Pi-2500	1	9	Pi	2500
M24308/1-23F-Pi-4000	1	9	Pi	4000
M24308/1-23F-C-330	1	9	C	330
M24308/1-23F-C-470	1	9	C	470
M24308/1-23F-C-820	1	9	C	820
M24308/1-23F-C-1000	1	9	C	1000
M24308/1-23F-C-4000	1	9	C	4000
M24308/1-24F-Pi-100	2	15	Pi	100
M24308/1-24F-Pi-330	2	15	Pi	330
M24308/1-24F-Pi-1000	2	15	Pi	1000
M24308/1-24F-Pi-2500	2	15	Pi	2500
M24308/1-24F-Pi-4000	2	15	Pi	4000
M24308/1-24F-C-330	2	15	C	330
M24308/1-24F-C-470	2	15	C	470
M24308/1-24F-C-820	2	15	C	820
M24308/1-24F-C-1000	2	15	C	1000
M24308/1-24F-C-4000	2	15	C	4000

### Solder Cup Receptacles, Filtered Connectors

Ordering Code (Filtered D-Sub)	Shell Size	No of Contacts	Filter Type	Capacit. pF
M24308/1-25F-Pi-100	3	25	Pi	100
M24308/1-25F-Pi-330	3	25	Pi	330
M24308/1-25F-Pi-1000	3	25	Pi	1000
M24308/1-25F-Pi-2500	3	25	Pi	2500
M24308/1-25F-Pi-4000	3	25	Pi	4000
M24308/1-25F-C-330	3	25	C	330
M24308/1-25F-C-470	3	25	C	470
M24308/1-25F-C-820	3	25	C	820
M24308/1-25F-C-1000	3	25	C	1000
M24308/1-25F-C-4000	3	25	C	4000
M24308/1-26F-Pi-100	4	37	Pi	100
M24308/1-26F-Pi-330	4	37	Pi	330
M24308/1-26F-Pi-1000	4	37	Pi	1000
M24308/1-26F-Pi-2500	4	37	Pi	2500
M24308/1-26F-Pi-4000	4	37	Pi	4000
M24308/1-26F-C-330	4	37	C	330
M24308/1-26F-C-470	4	37	C	470
M24308/1-26F-C-820	4	37	C	820
M24308/1-26F-C-1000	4	37	C	1000
M24308/1-26F-C-4000	4	37	C	4000

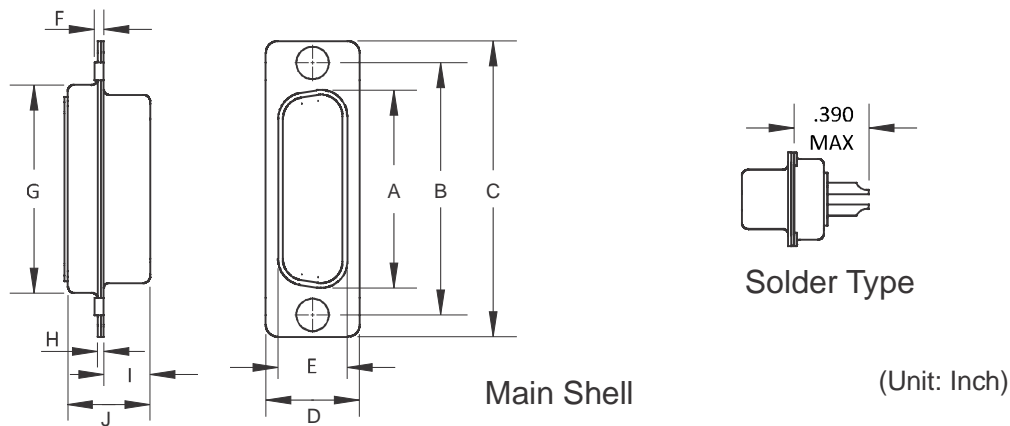
Shown trademarks are property of their respective owners.

While the information contained herein in this catalog, has been carefully compiled to the best of our knowledge, nothing is intended as representation and warranty on our part; and no statement shall be construed as recommendation to infringe any of existing patents. We accept no liability of whatsoever for any faults and errors in the information contained herein. Contents of this catalogue and specifications of the products, are subject to change without notice due to continuous improvements.

# Hi-Rel Filtered D-Sub Connectors (Based on MIL-24308 Connectors)

Source include Cinch, Tyco • MIL-24308 Qualified, QPL Listed • In-stock, small Qty like 5 pcs welcome

## D-Sub Filtered Connectors, *Plugs, Solder Cups*



Shell Size	A ±.005	B ±.005	C ±.015	D ±.015	E ±.005	F ±.010	G ±.010	H ±.010	I ±.004	J ±.010
Size 1 Plug Size 1 Socket	.666 .643	.984	1.213	.494	.329 .311	.045	.759	.030	.234 .243	.422 .429
Size 2 Plug Size 2 Socket	.994 .971	1.312	1.541	.494	.329 .311	.045	1.083	.030	.234 .243	.422 .429
Size 3 Plug Size 3 Socket	1.534 1.511	1.852	2.088	.494	.329 .311	.060 .045	1.625	.039 .030	.230 .243	.426 .429
Size 4 Plug Size 4 Socket	2.182 2.159	2.500	2.729	.494	.329 .311	.060 .045	2.272	.039 .030	.230 .243	.426 .429
Size 5 Plug Size 5 Socket	2.079 2.064	2.406	2.635	.605	.441 .423	.060 .045	2.178	.039 .030	.230 .243	.426 .429

### Solder Cup *Plugs*, Filtered Connectors

Ordering Code (Filtered D-Sub)	Shell Size	No of Contacts	Filter Type	Capacit. pF
M24308/3-17F-Pi-100	1	9	Pi	100
M24308/3-17F-Pi-330	1	9	Pi	330
M24308/3-17F-Pi-1000	1	9	Pi	1000
M24308/3-17F-Pi-2500	1	9	Pi	2500
M24308/3-17F-Pi-4000	1	9	Pi	4000
M24308/3-17F-C-330	1	9	C	330
M24308/3-17F-C-470	1	9	C	470
M24308/3-17F-C-820	1	9	C	820
M24308/3-17F-C-1000	1	9	C	1000
M24308/3-17F-C-4000	1	9	C	4000
M24308/3-18F-Pi-100	2	15	Pi	100
M24308/3-18F-Pi-330	2	15	Pi	330
M24308/3-18F-Pi-1000	2	15	Pi	1000
M24308/3-18F-Pi-2500	2	15	Pi	2500
M24308/3-18F-Pi-4000	2	15	Pi	4000
M24308/3-18F-C-330	2	15	C	330
M24308/3-18F-C-470	2	15	C	470
M24308/3-18F-C-820	2	15	C	820
M24308/3-18F-C-1000	2	15	C	1000
M24308/3-18F-C-4000	2	15	C	4000

### Solder Cup *Plugs*, Filtered Connectors

Ordering Code (Filtered D-Sub)	Shell Size	No of Contacts	Filter Type	Capacit. pF
M24308/3-19F-Pi-100	3	25	Pi	100
M24308/3-19F-Pi-330	3	25	Pi	330
M24308/3-19F-Pi-1000	3	25	Pi	1000
M24308/3-19F-Pi-2500	3	25	Pi	2500
M24308/3-19F-Pi-4000	3	25	Pi	4000
M24308/3-19F-C-330	3	25	C	330
M24308/3-19F-C-470	3	25	C	470
M24308/3-19F-C-820	3	25	C	820
M24308/3-19F-C-1000	3	25	C	1000
M24308/3-19F-C-4000	3	25	C	4000
M24308/3-20F-Pi-100	4	37	Pi	100
M24308/3-20F-Pi-330	4	37	Pi	330
M24308/3-20F-Pi-1000	4	37	Pi	1000
M24308/3-20F-Pi-2500	4	37	Pi	2500
M24308/3-20F-Pi-4000	4	37	Pi	4000
M24308/3-20F-C-330	4	37	C	330
M24308/3-20F-C-470	4	37	C	470
M24308/3-20F-C-820	4	37	C	820
M24308/3-20F-C-1000	4	37	C	1000
M24308/3-20F-C-4000	4	37	C	4000

Shown trademarks are property of their respective owners.

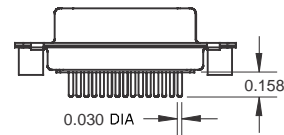
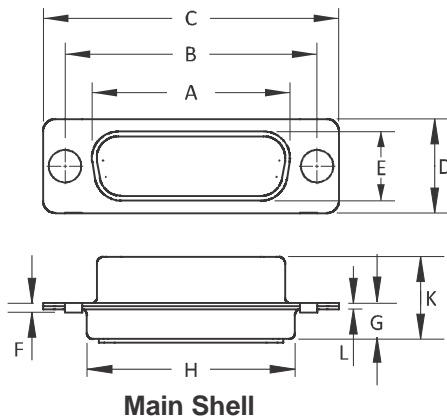
While the information contained herein in this catalog, has been carefully compiled to the best of our knowledge, nothing is intended as representation and warranty on our part; and no statement shall be construed as recommendation to infringe any of existing patents. We accept no liability of whatsoever for any faults and errors in the information contained herein. Contents of this catalogue and specifications of the products, are subject to change without notice due to continuous improvements.

# Hi-Rel Filtered D-Sub Connectors (Based on MIL-24308 Connectors)

Choice of 'C' and 'Pi' Filters • Various Capacitance Values in Stock • In-stock, small qty like 5 pcs welcome



## Filtered D-Sub Connectors, PC Mount, Straight Receptacles



(Unit: Inch)

Type	A ±.005	B ±.005	C ±.015	D ±.015	E ±.005	F ±.010	G ±.004	H ±.010	J ±.010	K ±.010	L ±.010
9 Pin Plug 9 Pin Socket	.666 .643	.984	1.213	.494	.329 .311	.045	.234 .243	.759	.422	.422 .429	.030
15 Pin Plug 15 Pin Socket	.994 .971	1.312	1.541	.494	.329 .311	.045	.234 .243	1.083	.422	.422 .429	.030
25 Pin Plug 25 Pin Socket	1.534 1.511	1.852	2.088	.494	.329 .311	.060 .045	.230 .243	1.625	.422	.426 .429	.039 .030
37 Pin Plug 37 Pin Socket	2.182 2.159	2.500	2.729	.494	.329 .311	.060 .045	.230 .243	2.272	.422	.426 .429	.039 .030
50 Pin Plug 50 Pin Socket	2.079 2.064	2.406	2.635	.605	.441 .423	.060 .045	.230 .243	2.178	.534	.426 .429	.039 .030

### PC Mount Receptacles, Straight Filtered Connectors

Ordering Code (Filtered D-Sub)	Shell Size	No of Contacts	Filter Type	Capacit. pF
M24308/23-1F-Pi-100	1	9	Pi	100
M24308/23-1F-Pi-330	1	9	Pi	330
M24308/23-1F-Pi-1000	1	9	Pi	1000
M24308/23-1F-Pi-2500	1	9	Pi	2500
M24308/23-1F-Pi-4000	1	9	Pi	4000
M24308/23-1F-C-330	1	9	C	330
M24308/23-1F-C-470	1	9	C	470
M24308/23-1F-C-820	1	9	C	820
M24308/23-1F-C-1000	1	9	C	1000
M24308/23-1F-C-4000	1	9	C	4000
M24308/23-2F-Pi-100	2	15	Pi	100
M24308/23-2F-Pi-330	2	15	Pi	330
M24308/23-2F-Pi-1000	2	15	Pi	1000
M24308/23-2F-Pi-2500	2	15	Pi	2500
M24308/23-2F-Pi-4000	2	15	Pi	4000
M24308/23-2F-C-330	2	15	C	330
M24308/23-2F-C-470	2	15	C	470
M24308/23-2F-C-820	2	15	C	820
M24308/23-2F-C-1000	2	15	C	1000
M24308/23-2F-C-4000	2	15	C	4000

### PC Mount Receptacles, Straight Filtered Connectors

Ordering Code (Filtered D-Sub)	Shell Size	No of Contacts	Filter Type	Capacit. pF
M24308/23-3F-Pi-100	3	25	Pi	100
M24308/23-3F-Pi-330	3	25	Pi	330
M24308/23-3F-Pi-1000	3	25	Pi	1000
M24308/23-3F-Pi-2500	3	25	Pi	2500
M24308/23-3F-Pi-4000	3	25	Pi	4000
M24308/23-3F-C-330	3	25	C	330
M24308/23-3F-C-470	3	25	C	470
M24308/23-3F-C-820	3	25	C	820
M24308/23-3F-C-1000	3	25	C	1000
M24308/23-3F-C-4000	3	25	C	4000
M24308/23-4F-Pi-100	4	37	Pi	100
M24308/23-4F-Pi-330	4	37	Pi	330
M24308/23-4F-Pi-1000	4	37	Pi	1000
M24308/23-4F-Pi-2500	4	37	Pi	2500
M24308/23-4F-Pi-4000	4	37	Pi	4000
M24308/23-4F-C-330	4	37	C	330
M24308/23-4F-C-470	4	37	C	470
M24308/23-4F-C-820	4	37	C	820
M24308/23-4F-C-1000	4	37	C	1000
M24308/23-4F-C-4000	4	37	C	4000

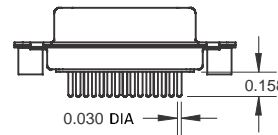
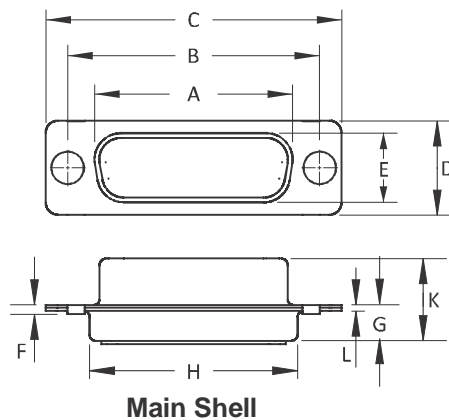
Shown trademarks are property of their respective owners.

While the information contained herein in this catalog, has been carefully compiled to the best of our knowledge, nothing is intended as representation and warranty on our part; and no statement shall be construed as recommendation to infringe any of existing patents. We accept no liability of whatsoever for any faults and errors in the information contained herein. Contents of this catalogue and specifications of the products, are subject to change without notice due to continuous improvements.

# Hi-Rel Filtered D-Sub Connectors (Based on MIL-24308 Connectors)

Source include Cinch, Tyco • MIL-24308 Qualified, QPL Listed • In-stock, small Qty like 5 pcs welcome

## Filtered D-Sub Connectors, PC Mount, Straight Plugs



PC Tail, Straight

(Unit: Inch)

Type	A ±.005	B ±.005	C ±.015	D ±.015	E ±.005	F ±.010	G ±.004	H ±.010	J ±.010	K ±.010	L ±.010
9 Pin Plug 9 Pin Socket	.666 .643	.984	1.213	.494	.329 .311	.045	.234 .243	.759	.422	.422 .429	.030
15 Pin Plug 15 Pin Socket	.994 .971	1.312	1.541	.494	.329 .311	.045	.234 .243	1.083	.422	.422 .429	.030
25 Pin Plug 25 Pin Socket	1.534 1.511	1.852	2.088	.494	.329 .311	.060 .045	.230 .243	1.625	.422	.426 .429	.039 .030
37 Pin Plug 37 Pin Socket	2.182 2.159	2.500	2.729	.494	.329 .311	.060 .045	.230 .243	2.272	.422	.426 .429	.039 .030
50 Pin Plug 50 Pin Socket	2.079 2.064	2.406	2.635	.605	.441 .423	.060 .045	.230 .243	2.178	.534	.426 .429	.039 .030

### PC Mount **Plugs, Straight** Filtered Connectors

Ordering Code (Filtered D-Sub)	Shell Size	No of Contacts	Filter Type	Capacit. pF
M24308/24-1F-Pi-100	1	9	Pi	100
M24308/24-1F-Pi-330	1	9	Pi	330
M24308/24-1F-Pi-1000	1	9	Pi	1000
M24308/24-1F-Pi-2500	1	9	Pi	2500
M24308/24-1F-Pi-4000	1	9	Pi	4000
M24308/24-1F-C-330	1	9	C	330
M24308/24-1F-C-470	1	9	C	470
M24308/24-1F-C-820	1	9	C	820
M24308/24-1F-C-1000	1	9	C	1000
M24308/24-1F-C-4000	1	9	C	4000
M24308/24-2F-Pi-100	2	15	Pi	100
M24308/24-2F-Pi-330	2	15	Pi	330
M24308/24-2F-Pi-1000	2	15	Pi	1000
M24308/24-2F-Pi-2500	2	15	Pi	2500
M24308/24-2F-Pi-4000	2	15	Pi	4000
M24308/24-2F-C-330	2	15	C	330
M24308/24-2F-C-470	2	15	C	470
M24308/24-2F-C-820	2	15	C	820
M24308/24-2F-C-1000	2	15	C	1000
M24308/24-2F-C-4000	2	15	C	4000

### PC Mount **Plugs, Straight** Filtered Connectors

Ordering Code (Filtered D-Sub)	Shell Size	No of Contacts	Filter Type	Capacit. pF
M24308/24-3F-Pi-100	3	25	Pi	100
M24308/24-3F-Pi-330	3	25	Pi	330
M24308/24-3F-Pi-1000	3	25	Pi	1000
M24308/24-3F-Pi-2500	3	25	Pi	2500
M24308/24-3F-Pi-4000	3	25	Pi	4000
M24308/24-3F-C-330	3	25	C	330
M24308/24-3F-C-470	3	25	C	470
M24308/24-3F-C-820	3	25	C	820
M24308/24-3F-C-1000	3	25	C	1000
M24308/24-3F-C-4000	3	25	C	4000
M24308/24-4F-Pi-100	4	37	Pi	100
M24308/24-4F-Pi-330	4	37	Pi	330
M24308/24-4F-Pi-1000	4	37	Pi	1000
M24308/24-4F-Pi-2500	4	37	Pi	2500
M24308/24-4F-Pi-4000	4	37	Pi	4000
M24308/24-4F-C-330	4	37	C	330
M24308/24-4F-C-470	4	37	C	470
M24308/24-4F-C-820	4	37	C	820
M24308/24-4F-C-1000	4	37	C	1000
M24308/24-4F-C-4000	4	37	C	4000

Shown trademarks are property of their respective owners.

While the information contained herein in this catalog, has been carefully compiled to the best of our knowledge, nothing is intended as representation and warranty on our part; and no statement shall be construed as recommendation to infringe any of existing patents. We accept no liability of whatsoever for any faults and errors in the information contained herein. Contents of this catalogue and specifications of the products, are subject to change without notice due to continuous improvements.

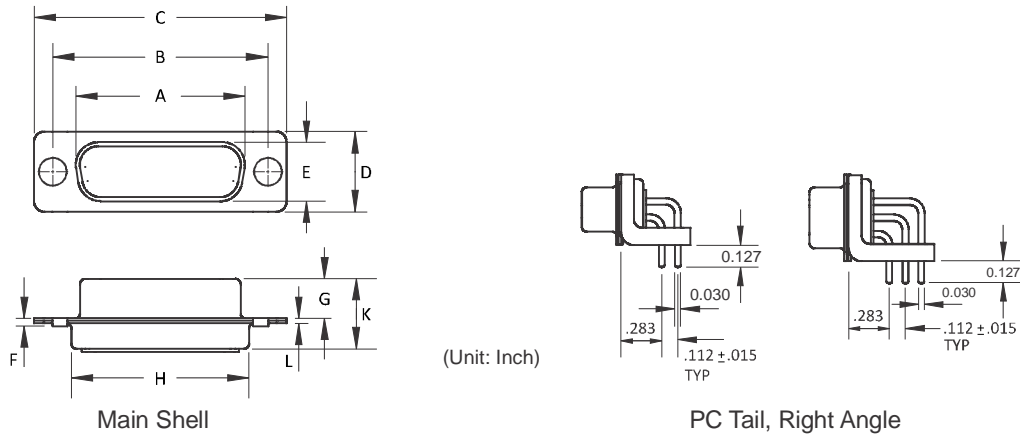


# Hi-Rel Filtered D-Sub Connectors (Based on MIL-24308 Connectors)

Choice of 'C' and 'Pi' Filters • Various Capacitance Values in Stock • In-stock, small qty like 5 pcs welcome



## Filtered D-Sub Connectors, PC Mount, Right Angle Receptacles



Type	A ±.005	B ±.005	C ±.015	D ±.015	E ±.005	F ±.010	G ±.004	H ±.010	J ±.010	K ±.010	L ±.010
9 Pin Plug 9 Pin Socket	.666 .643	.984	1.213	.494	.329 .311	.045	.234 .243	.759	.422	.422 .429	.030
15 Pin Plug 15 Pin Socket	.994 .971	1.312	1.541	.494	.329 .311	.045	.234 .243	1.083	.422	.422 .429	.030
25 Pin Plug 25 Pin Socket	1.534 1.511	1.852	2.088	.494	.329 .311	.060 .045	.230 .243	1.625	.422	.426 .429	.039 .030
37 Pin Plug 37 Pin Socket	2.182 2.159	2.500	2.729	.494	.329 .311	.060 .045	.230 .243	2.272	.422	.426 .429	.039 .030
50 Pin Plug 50 Pin Socket	2.079 2.064	2.406	2.635	.605	.441 .423	.060 .045	.230 .243	2.178	.534	.426 .429	.039 .030

### PC Mount Receptacles, Right Angle Filtered Connectors

Ordering Code (Filtered D-Sub)	Shell Size	No of Contacts	Filter Type	Capacit. pF
M24308/23-25F-Pi-100	1	9	Pi	100
M24308/23-25F-Pi-330	1	9	Pi	330
M24308/23-25F-Pi-1000	1	9	Pi	1000
M24308/23-25F-Pi-2500	1	9	Pi	2500
M24308/23-25F-Pi-4000	1	9	Pi	4000
M24308/23-25F-C-330	1	9	C	330
M24308/23-25F-C-470	1	9	C	470
M24308/23-25F-C-820	1	9	C	820
M24308/23-25F-C-1000	1	9	C	1000
M24308/23-25F-C-4000	1	9	C	4000
M24308/23-26F-Pi-100	2	15	Pi	100
M24308/23-26F-Pi-330	2	15	Pi	330
M24308/23-26F-Pi-1000	2	15	Pi	1000
M24308/23-26F-Pi-2500	2	15	Pi	2500
M24308/23-26F-Pi-4000	2	15	Pi	4000
M24308/23-26F-C-330	2	15	C	330
M24308/23-26F-C-470	2	15	C	470
M24308/23-26F-C-820	2	15	C	820
M24308/23-26F-C-1000	2	15	C	1000
M24308/23-26F-C-4000	2	15	C	4000

### PC Mount Receptacles, Right Angle Filtered Connectors

Ordering Code (Filtered D-Sub)	Shell Size	No of Contacts	Filter Type	Capacit. pF
M24308/23-27F-Pi-100	3	25	Pi	100
M24308/23-27F-Pi-330	3	25	Pi	330
M24308/23-27F-Pi-1000	3	25	Pi	1000
M24308/23-27F-Pi-2500	3	25	Pi	2500
M24308/23-27F-Pi-4000	3	25	Pi	4000
M24308/23-27F-C-330	3	25	C	330
M24308/23-27F-C-470	3	25	C	470
M24308/23-27F-C-820	3	25	C	820
M24308/23-27F-C-1000	3	25	C	1000
M24308/23-27F-C-4000	3	25	C	4000
M24308/23-28F-Pi-100	4	37	Pi	100
M24308/23-28F-Pi-330	4	37	Pi	330
M24308/23-28F-Pi-1000	4	37	Pi	1000
M24308/23-28F-Pi-2500	4	37	Pi	2500
M24308/23-28F-Pi-4000	4	37	Pi	4000
M24308/23-28F-C-330	4	37	C	330
M24308/23-28F-C-470	4	37	C	470
M24308/23-28F-C-820	4	37	C	820
M24308/23-28F-C-1000	4	37	C	1000
M24308/23-28F-C-4000	4	37	C	4000

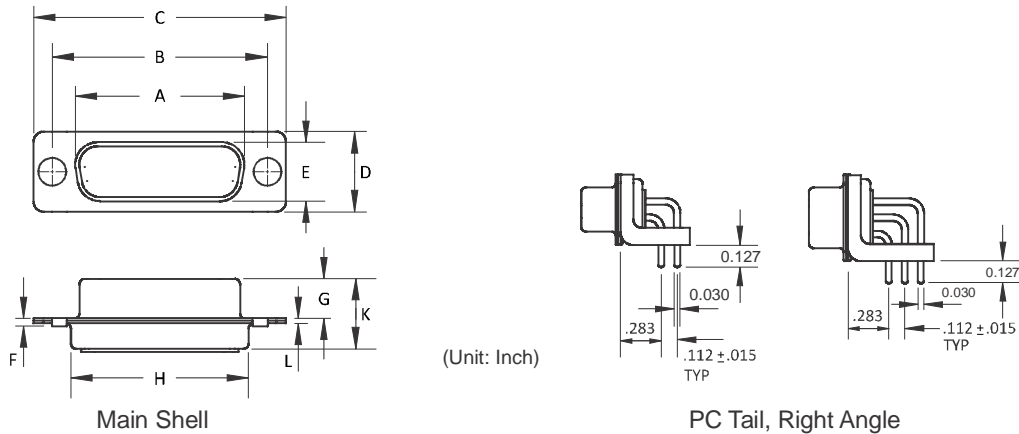
Shown trademarks are property of their respective owners.

While the information contained herein in this catalog, has been carefully compiled to the best of our knowledge, nothing is intended as representation and warranty on our part; and no statement shall be construed as recommendation to infringe any of existing patents. We accept no liability of whatsoever for any faults and errors in the information contained herein. Contents of this catalogue and specifications of the products, are subject to change without notice due to continuous improvements.

# Hi-Rel Filtered D-Sub Connectors (Based on MIL-24308 Connectors)

Source include Cinch, Tyco • MIL-24308 Qualified, QPL Listed • In-stock, small Qty like 5 pcs welcome

## Filtered D-Sub Connectors, PC Mount, Right Angle Plugs



Type	A ±.005	B ±.005	C ±.015	D ±.015	E ±.005	F ±.010	G ±.004	H ±.010	J ±.010	K ±.010	L ±.010
9 Pin Plug 9 Pin Socket	.666 .643	.984	1.213	.494	.329 .311	.045	.234 .243	.759	.422	.422 .429	.030
15 Pin Plug 15 Pin Socket	.994 .971	1.312	1.541	.494	.329 .311	.045	.234 .243	1.083	.422	.422 .429	.030
25 Pin Plug 25 Pin Socket	1.534 1.511	1.852	2.088	.494	.329 .311	.060 .045	.230 .243	1.625	.422	.426 .429	.039 .030
37 Pin Plug 37 Pin Socket	2.182 2.159	2.500	2.729	.494	.329 .311	.060 .045	.230 .243	2.272	.422	.426 .429	.039 .030
50 Pin Plug 50 Pin Socket	2.079 2.064	2.406	2.635	.605	.441 .423	.060 .045	.230 .243	2.178	.534	.426 .429	.039 .030

### PC Mount Plugs, Right Angle Filtered Connectors

Ordering Code (Filtered D-Sub)	Shell Size	No of Contacts	Filter Type	Capacit. pF
M24308/24-25F-Pi-100	1	9	Pi	100
M24308/24-25F-Pi-330	1	9	Pi	330
M24308/24-25F-Pi-1000	1	9	Pi	1000
M24308/24-25F-Pi-2500	1	9	Pi	2500
M24308/24-25F-Pi-4000	1	9	Pi	4000
M24308/24-25F-C-330	1	9	C	330
M24308/24-25F-C-470	1	9	C	470
M24308/24-25F-C-820	1	9	C	820
M24308/24-25F-C-1000	1	9	C	1000
M24308/24-25F-C-4000	1	9	C	4000
M24308/24-26F-Pi-100	2	15	Pi	100
M24308/24-26F-Pi-330	2	15	Pi	330
M24308/24-26F-Pi-1000	2	15	Pi	1000
M24308/24-26F-Pi-2500	2	15	Pi	2500
M24308/24-26F-Pi-4000	2	15	Pi	4000
M24308/24-26F-C-330	2	15	C	330
M24308/24-26F-C-470	2	15	C	470
M24308/24-26F-C-820	2	15	C	820
M24308/24-26F-C-1000	2	15	C	1000
M24308/24-26F-C-4000	2	15	C	4000

### PC Mount Plugs, Right Angle Filtered Connectors

Ordering Code (Filtered D-Sub)	Shell Size	No of Contacts	Filter Type	Capacit. pF
M24308/24-27F-Pi-100	3	25	Pi	100
M24308/24-27F-Pi-330	3	25	Pi	330
M24308/24-27F-Pi-1000	3	25	Pi	1000
M24308/24-27F-Pi-2500	3	25	Pi	2500
M24308/24-27F-Pi-4000	3	25	Pi	4000
M24308/24-27F-C-330	3	25	C	330
M24308/24-27F-C-470	3	25	C	470
M24308/24-27F-C-820	3	25	C	820
M24308/24-27F-C-1000	3	25	C	1000
M24308/24-27F-C-4000	3	25	C	4000
M24308/24-28F-Pi-100	4	37	Pi	100
M24308/24-28F-Pi-330	4	37	Pi	330
M24308/24-28F-Pi-1000	4	37	Pi	1000
M24308/24-28F-Pi-2500	4	37	Pi	2500
M24308/24-28F-Pi-4000	4	37	Pi	4000
M24308/24-28F-C-330	4	37	C	330
M24308/24-28F-C-470	4	37	C	470
M24308/24-28F-C-820	4	37	C	820
M24308/24-28F-C-1000	4	37	C	1000
M24308/24-28F-C-4000	4	37	C	4000

Shown trademarks are property of their respective owners.

While the information contained herein in this catalog, has been carefully compiled to the best of our knowledge, nothing is intended as representation and warranty on our part; and no statement shall be construed as recommendation to infringe any of existing patents. We accept no liability of whatsoever for any faults and errors in the information contained herein. Contents of this catalogue and specifications of the products, are subject to change without notice due to continuous improvements.

## Specifications for Filtered D-Sub (MIL-24308 based) Connectors

- Connector MIL Qualification : Connector used are QPL listed as per MIL-24308
- Connector Make : Connector are of reputed source like Cinch, Tyco etc
- Filter Type : 'C' Filter
- Capacitance : ??? pF (on each connector Contact)
- Contacts to be EMI Filtered : All connector Contacts
- Working Voltage : 50 VDC
- Qualification : Conform to MIL-24308
- Operating Temperature :-55°C ~ +125°C
- Vibration : 12 cycles in 3 directions @ 10-2000Hz, MIL-STD-202 Method 204, Condition D
- Shock : 50 g's, MIL-STD-202 Method 213, Condition G
- Moisture Resistance : 90-95% RH @ 40°C for 96 hours, MIL-STD-202 Method 103
- Metal Shell : Steel, Yellow Chromate finish over cadmium plating
- Insulator : Glass filled diallyl phthalate per MIL-M-14, Type SDG-4
- Insulation Resistance : 5000 MΩ min. (initial) ; 1000 MΩ min. (after env. Testing)
  - Test Voltage (sea Level) : 1250 VAC
  - Mating Life : 500 mating cycles min.