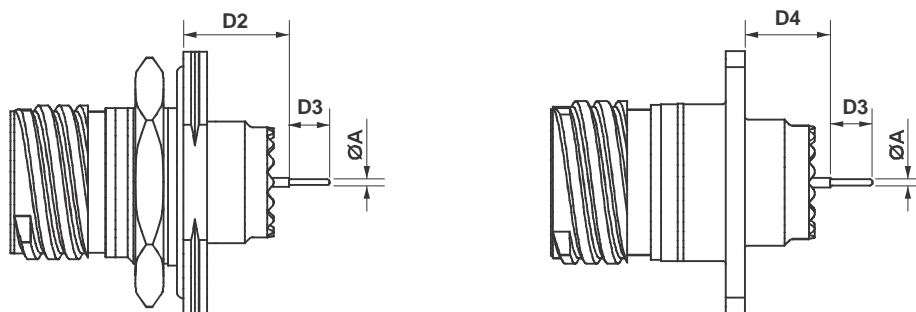
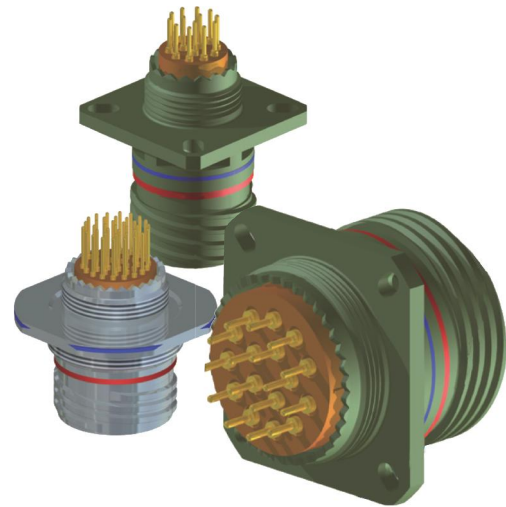


We supply hi-quality MIL-38999 PC Tail version connectors using imported MIL-QPL'd D38999 connectors from Deutsch, Aero amongst others.

FEATURES, MIL QPL MATERIALS

- MIL-38999 Series QPL Connectors from suppliers like Deutsch, Aero Inc
- MIL-39029 compliant contacts
- Common insert patterns in stock
- Wall Mount & Jamnut Versions
- Other tail Lengths as per custom requirement available



Dimensional Details of Various PC Tail Connectors - per Shell size

| Dimensions | Shell size | | 09 | 11 | 13 | 15 | 17 | 19 | 21 | 23 | 25 |
|------------|--------------|-------|-------------|-----|-------------|-----|-----|-----|------------|-----|-----|
| | Contact size | Type | (A) | (B) | (C) | (D) | (E) | (F) | (G) | (H) | (J) |
| A (mm) | #22D | M & F | 0.70 | | | | | | | | |
| D2 (mm) | #22D | M | 10.5 ~ 11.4 | | 10.3 ~ 11.3 | | | | | | |
| | #22D | F | 10.2 ~ 11.5 | | 10.0 ~ 11.3 | | | | | | |
| D3 (mm) | #22D | M & F | 8.50 | | | | | | | | |
| D4 (mm) | #22D | M | 9.5 ~ 10.6 | | | | | | 9.5 ~ 10.7 | | |
| | #22D | F | 9.2 ~ 10.6 | | | | | | 9.3 ~ 10.7 | | |

Shown trademarks are property of their respective owners.

While the information contained herein in this catalog, has been carefully compiled to the best of our knowledge, nothing is intended as representation and warranty on our part; and no statement shall be construed as recommendation to infringe any of existing patents. We accept no liability of whatsoever for any faults and errors in the information contained herein. Contents of this catalogue and specifications of the products, are subject to change without notice due to continuous improvements.

Popular D38999 PC Tail Connectors – Wallmount (Other Connector/Insert Patterns available – pls request)

| Our Ordering Code | Type | Pin/Socket | Shell Size | No of Contacts | Contact Size | Keying |
|---------------------|-----------|------------|------------|----------------|--------------|------------|
| D38999/20WA35AN-PCL | Wallmount | Pin | 9 | 6 | 22D | Normal |
| D38999/20WA35PA-PCL | Wallmount | Pin | 9 | 6 | 22D | Rotation A |
| D38999/20WB35AN-PCL | Wallmount | Pin | 11 | 13 | 22D | Normal |
| D38999/20WB35PA-PCL | Wallmount | Pin | 11 | 13 | 22D | Rotation A |
| D38999/20WC35AN-PCL | Wallmount | Pin | 13 | 22 | 22D | Normal |
| D38999/20WC35PA-PCL | Wallmount | Pin | 13 | 22 | 22D | Rotation A |
| D38999/20WD35AA-PCL | Wallmount | Pin | 15 | 37 | 22D | Rotation A |
| D38999/20WD35AN-PCL | Wallmount | Pin | 15 | 37 | 22D | Normal |
| D38999/20WE35AN-PCL | Wallmount | Pin | 17 | 55 | 22D | Normal |
| D38999/20WE35PA-PCL | Wallmount | Pin | 17 | 55 | 22D | Rotation A |
| D38999/20WF35AA-PCL | Wallmount | Pin | 19 | 66 | 22D | Rotation A |
| D38999/20WF35AN-PCL | Wallmount | Pin | 19 | 66 | 22D | Normal |
| D38999/20WG35AA-PCL | Wallmount | Pin | 21 | 79 | 22D | Rotation A |
| D38999/20WG35AN-PCL | Wallmount | Pin | 21 | 79 | 22D | Normal |
| D38999/20WH35AA-PCL | Wallmount | Pin | 23 | 100 | 22D | Rotation A |
| D38999/20WH35AN-PCL | Wallmount | Pin | 23 | 100 | 22D | Normal |
| D38999/20WJ35AA-PCL | Wallmount | Pin | 25 | 128 | 22D | Rotation A |
| D38999/20WJ35AN-PCL | Wallmount | Pin | 25 | 128 | 22D | Normal |
| D38999/20WA35BA-PCL | Wallmount | Socket | 9 | 6 | 22D | Rotation A |
| D38999/20WA35BN-PCL | Wallmount | Socket | 9 | 6 | 22D | Normal |
| D38999/20WB35BN-PCL | Wallmount | Socket | 11 | 13 | 22D | Normal |
| D38999/20WB35SA-PCL | Wallmount | Socket | 11 | 13 | 22D | Rotation A |
| D38999/20WC35BA-PCL | Wallmount | Socket | 13 | 22 | 22D | Rotation A |
| D38999/20WC35BN-PCL | Wallmount | Socket | 13 | 22 | 22D | Normal |
| D38999/20WD35BN-PCL | Wallmount | Socket | 15 | 37 | 22D | Normal |
| D38999/20WD35SA-PCL | Wallmount | Socket | 15 | 37 | 22D | Rotation A |
| D38999/20WE35BA-PCL | Wallmount | Socket | 17 | 55 | 22D | Rotation A |
| D38999/20WE35BN-PCL | Wallmount | Socket | 17 | 55 | 22D | Normal |
| D38999/20WF35BA-PCL | Wallmount | Socket | 19 | 66 | 22D | Rotation A |
| D38999/20WF35BN-PCL | Wallmount | Socket | 19 | 66 | 22D | Normal |
| D38999/20WG35BA-PCL | Wallmount | Socket | 21 | 79 | 22D | Rotation A |
| D38999/20WG35BN-PCL | Wallmount | Socket | 21 | 79 | 22D | Normal |
| D38999/20WH35BA-PCL | Wallmount | Socket | 23 | 100 | 22D | Rotation A |
| D38999/20WH35BN-PCL | Wallmount | Socket | 23 | 100 | 22D | Normal |
| D38999/20WH53BN-PCL | Wallmount | Socket | 23 | 53 | 20 | Normal |
| D38999/20WJ35BA-PCL | Wallmount | Socket | 25 | 128 | 22D | Rotation A |
| D38999/20WJ35BN-PCL | Wallmount | Socket | 25 | 128 | 22D | Normal |

Shown trademarks are property of their respective owners.

While the information contained herein in this catalog, has been carefully compiled to the best of our knowledge, nothing is intended as representation and warranty on our part; and no statement shall be construed as recommendation to infringe any of existing patents. We accept no liability of whatsoever for any faults and errors in the information contained herein. Contents of this catalogue and specifications of the products, are subject to change without notice due to continuous improvements.

Popular D38999 PC Tail Connectors – Jamnuts
(Other Connector/Insert Patterns available – pls request)

| Our Ordering Code | Type | Pin/Socket | Shell Size | No of Contacts | Contact Size | Keying |
|---------------------|--------|------------|------------|----------------|--------------|------------|
| D38999/24WA35AN-PCL | Jamnut | Pin | 9 | 6 | 22D | Normal |
| D38999/24WA35PA-PCL | Jamnut | Pin | 9 | 6 | 22D | Rotation A |
| D38999/24WB35AA-PCL | Jamnut | Pin | 11 | 13 | 22D | Rotation A |
| D38999/24WB35AN-PCL | Jamnut | Pin | 11 | 13 | 22D | Normal |
| D38999/24WC35AA-PCL | Jamnut | Pin | 13 | 22 | 22D | Rotation A |
| D38999/24WC35AN-PCL | Jamnut | Pin | 13 | 22 | 22D | Normal |
| D38999/24WD35AN-PCL | Jamnut | Pin | 15 | 37 | 22D | Normal |
| D38999/24WD35PA-PCL | Jamnut | Pin | 15 | 37 | 22D | Rotation A |
| D38999/24WF35PA-PCL | Jamnut | Pin | 19 | 66 | 22D | Rotation A |
| D38999/24WF35PN-PCL | Jamnut | Pin | 19 | 66 | 22D | Normal |
| D38999/24WG35AA-PCL | Jamnut | Pin | 21 | 79 | 22D | Rotation A |
| D38999/24WG35AN-PCL | Jamnut | Pin | 21 | 79 | 22D | Normal |
| D38999/24WH35AN-PCL | Jamnut | Pin | 23 | 100 | 22D | Normal |
| D38999/24WH35PA-PCL | Jamnut | Pin | 23 | 100 | 22D | Rotation A |
| D38999/24WJ35AA-PCL | Jamnut | Pin | 25 | 128 | 22D | Rotation A |
| D38999/24WJ35PN-PCL | Jamnut | Pin | 25 | 128 | 22D | Normal |
| D38999/24WA35BA-PCL | Jamnut | Socket | 9 | 6 | 22D | Rotation A |
| D38999/24WA35BN-PCL | Jamnut | Socket | 9 | 6 | 22D | Normal |
| D38999/24WB35BN-PCL | Jamnut | Socket | 11 | 13 | 22D | Normal |
| D38999/24WB35SA-PCL | Jamnut | Socket | 11 | 13 | 22D | Rotation A |
| D38999/24WC35BA-PCL | Jamnut | Socket | 13 | 22 | 22D | Rotation A |
| D38999/24WC35BN-PCL | Jamnut | Socket | 13 | 22 | 22D | Normal |
| D38999/24WD35SA-PCL | Jamnut | Socket | 15 | 37 | 22D | Rotation A |
| D38999/24WD35SN-PCL | Jamnut | Socket | 15 | 37 | 22D | Normal |
| D38999/24WF35BA-PCL | Jamnut | Socket | 19 | 66 | 22D | Rotation A |
| D38999/24WF35BN-PCL | Jamnut | Socket | 19 | 66 | 22D | Normal |
| D38999/24WG35BN-PCL | Jamnut | Socket | 21 | 79 | 22D | Normal |
| D38999/24WG35SA-PCL | Jamnut | Socket | 21 | 79 | 22D | Rotation A |
| D38999/24WH35BA-PCL | Jamnut | Socket | 23 | 100 | 22D | Rotation A |
| D38999/24WH35BN-PCL | Jamnut | Socket | 23 | 100 | 22D | Normal |
| D38999/24WJ35BN-PCL | Jamnut | Socket | 25 | 128 | 22D | Normal |
| D38999/24WJ35SA-PCL | Jamnut | Socket | 25 | 128 | 22D | Rotation A |

Specifications of D38999 Series III series connectors

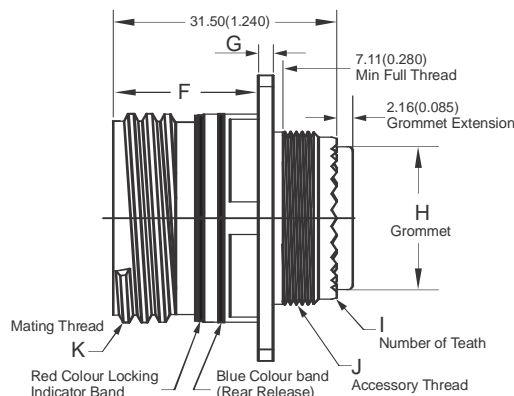
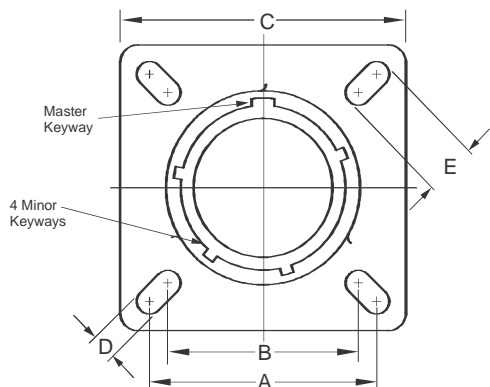
| | |
|-------------------|------------------------------------|
| MIL Qualification | MIL-DTL-38999 Series III Qualified |
| Shell Material | Aluminium Alloy |
| Shell Plating | Olive drab cadmium |
| Insulator | Thermoplastic or thermoset |
| Contacts | Copper Alloy |
| Contacts Plating | Gold over Nickel plated |

| | |
|-----------------------|----------------------------|
| Endurance | 500 mating/unmating cycles |
| Shock | 300G for 3 ms |
| Vibration | 60G sine, 44G random |
| Temperature Range | -65 to +200°C |
| Insulation Resistance | >5000 MOhms (at 500Vdc) |

Shown trademarks are property of their respective owners.

While the information contained herein in this catalog, has been carefully compiled to the best of our knowledge, nothing is intended as representation and warranty on our part; and no statement shall be construed as recommendation to infringe any of existing patents. We accept no liability of whatsoever for any faults and errors in the information contained herein. Contents of this catalogue and specifications of the products, are subject to change without notice due to continuous improvements.

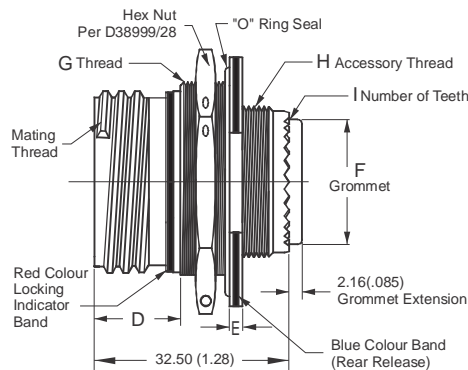
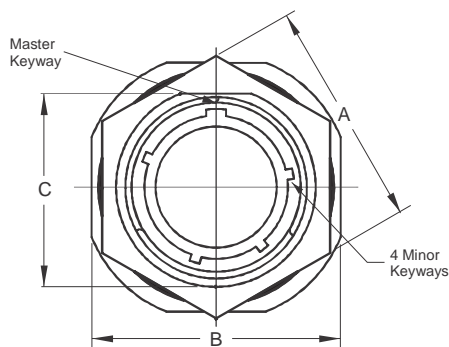
MIL-38999 PC Tail Connectors



**D38999
Wallmount**

Units: mm(inch)

| Shell Size | A | | B | | C | | D | | E | | F | | G | | H (dia) | | No. of Teeth |
|------------|-------|-------|-------|-------|-------|-------|-------|------|-------|------|---------|-------|---------|------|---------|-------|--------------|
| | (TP) | | (TP) | | ±.012 | ±.30 | ±.008 | ±.20 | ±.008 | ±.20 | Maximum | | Maximum | | Maximum | | |
| | inch | mm | inch | mm | inch | mm | inch | mm | inch | mm | inch | mm | inch | mm | inch | mm | |
| A | .719 | 18.26 | .594 | 15.09 | .937 | 23.80 | .128 | 3.25 | .216 | 5.49 | .820 | 20.83 | .098 | 2.50 | .299 | 7.59 | 12 |
| B | .812 | 20.62 | .719 | 18.26 | 1.031 | 26.20 | .128 | 3.25 | .194 | 4.93 | .820 | 20.83 | .098 | 2.50 | .427 | 10.85 | 16 |
| C | .906 | 23.01 | .812 | 20.62 | 1.126 | 28.60 | .128 | 3.25 | .194 | 4.93 | .820 | 20.83 | .098 | 2.50 | .541 | 13.74 | 20 |
| D | .969 | 24.61 | .906 | 23.01 | 1.220 | 31.00 | .128 | 3.25 | .173 | 4.39 | .820 | 20.83 | .098 | 2.50 | .666 | 16.92 | 24 |
| E | 1.062 | 26.97 | .969 | 24.61 | 1.311 | 33.30 | .128 | 3.25 | .194 | 4.93 | .820 | 20.83 | .098 | 2.50 | .791 | 20.09 | 28 |
| F | 1.156 | 29.36 | 1.062 | 26.97 | 1.437 | 36.50 | .128 | 3.25 | .194 | 4.93 | .820 | 20.83 | .098 | 2.50 | .897 | 22.78 | 32 |
| G | 1.250 | 31.75 | 1.156 | 29.36 | 1.563 | 39.70 | .128 | 3.25 | .194 | 4.93 | .790 | 20.07 | .126 | 3.20 | 1.022 | 25.96 | 36 |
| H | 1.375 | 34.93 | 1.250 | 31.75 | 1.689 | 42.90 | .154 | 3.91 | .242 | 6.15 | .790 | 20.07 | .126 | 3.20 | 1.147 | 29.13 | 40 |
| J | 1.500 | 38.10 | 1.375 | 34.93 | 1.811 | 46.00 | .154 | 3.91 | .242 | 6.15 | .790 | 20.07 | .126 | 3.20 | 1.272 | 32.31 | 44 |



**D38999
Jamnut**

Units: mm(inch)

| Shell Size | A | | B | | C | | D | | E | | F (dia) | | G | No. of Teeth |
|------------|-----------|------------|-------|-------|-------|-------|--------|-------|--------|-------|---------|-------|----------|--------------|
| | | | ±.016 | ±.40 | +0.04 | +1.10 | +0.024 | +0.60 | +0.035 | +0.90 | Maximum | | Jam Nut | |
| | inch | mm | inch | mm | inch | mm | inch | mm | inch | mm | inch | mm | 0.100R | |
| A | .94/.86 | 24.0/21.82 | 1.063 | 27.00 | .651 | 16.53 | .555 | 14.10 | .087 | 2.20 | .299 | 7.59 | M17x1-6g | 12 |
| B | 1.063/.98 | 27.0/24.99 | 1.252 | 31.80 | .751 | 19.07 | .555 | 14.10 | .087 | 2.20 | .427 | 10.85 | M20x1-6g | 16 |
| C | 1.25/1.17 | 32.0/29.77 | 1.374 | 34.90 | .938 | 23.82 | .555 | 14.10 | .087 | 2.20 | .541 | 13.74 | M25x1-6g | 20 |
| D | 1.42/1.29 | 36.0/32.91 | 1.500 | 38.10 | 1.062 | 26.97 | .555 | 14.10 | .087 | 2.20 | .666 | 16.92 | M28x1-6g | 24 |
| E | 1.45/1.42 | 37.0/36.12 | 1.626 | 41.30 | 1.187 | 30.15 | .555 | 14.10 | .087 | 2.20 | .791 | 20.09 | M32x1-6g | 28 |
| F | 1.61/1.54 | 41.0/39.26 | 1.811 | 46.00 | 1.312 | 33.32 | .555 | 14.10 | .118 | 3.00 | .897 | 22.78 | M35x1-6g | 32 |
| G | 1.81/1.67 | 46.0/42.47 | 1.937 | 49.20 | 1.437 | 36.50 | .555 | 14.10 | .118 | 3.00 | 1.022 | 25.96 | M38x1-6g | 36 |
| H | 1.97/1.79 | 50.0/45.61 | 2.063 | 52.40 | 1.562 | 39.67 | .555 | 14.10 | .118 | 3.00 | 1.147 | 29.13 | M41x1-6g | 40 |
| J | 2.02/1.94 | 51.2/49.25 | 2.189 | 55.60 | 1.687 | 42.85 | .555 | 14.10 | .118 | 3.00 | 1.272 | 32.31 | M44x1-6g | 44 |

While the information contained herein in this catalog, has been carefully compiled to the best of our knowledge, nothing is intended as representation and warranty on our part; and no statement shall be construed as recommendation to infringe any of existing patents. We accept no liability of whatsoever for any faults and errors in the information contained herein. Contents of this catalogue and specifications of the products, are subject to change without notice due to continuous improvements.

Shown trademarks are property of their respective owners.