

We stock and supply hi-quality MIL-38999 Series III connectors. We only supply MIL-38999 types which are QPL listed. We source these from variety of sources like Deutsch, Aero Inc amongst others.

**FEATURES, MIL QPL**

- MIL-38999 Series III connectors are QPL listed from suppliers like Deutsch, Aero Inc
- MIL-39029 compliant contacts
- Common insert patterns in stock
- Plug, Wall-Mount & Jamnut Versions
- Aluminium Shell with Olive Drab Coating



**ADVANTAGES OF MIL-38999 Connectors from us:**

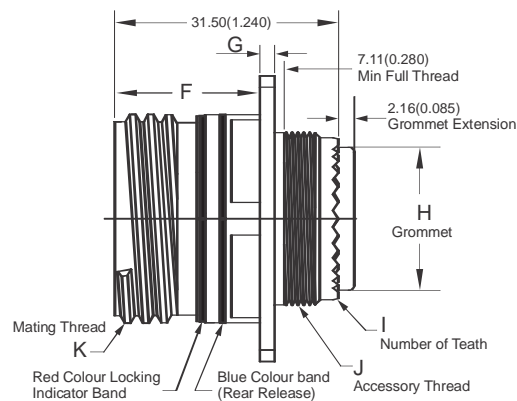
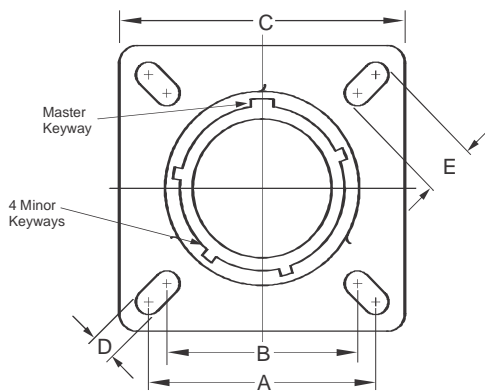
- Many insert patterns & keying arrangements available from stock
- Small quantities like 5 pieces welcome
- Free samples possible for projects
- Available in cash purchase for small quantity

**Military Part Number System for MIL-38999 Series III Connectors**

<b>Mil. Prefix</b>	D38999/	20	W	C	35	P	N
<b>Shell Type</b>	20 = Wall mount receptacle 24 = Jam nut receptacle 26 = Self-locking, RFI grounding plug						
<b>Class (Material &amp; Finish)</b>	F = Aluminum shell, electroless nickel finish W = Aluminum shell, olive drab cadmium over electroless nickel base K = Stainless steel shell, passivated, with firewall insert S = Stainless steel shell, electrodeposited nickel, with firewall insert						
<b>Shell Size</b>	A, B, C, D, E, F, G, H or J						
<b>Insert Arrangement</b>	See next pages						
<b>Contact Style</b>	P = Pin S = Socket A = Pin connector less pins B = Socket connector less sockets						
<b>Polarization (Keying)</b>	N = Normal (Included in part number) A, B, C, D, or E						

Shown trademarks are property of their respective owners.

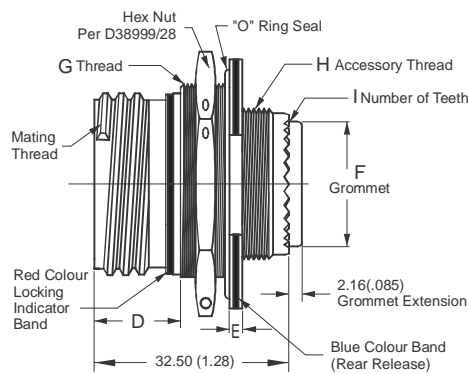
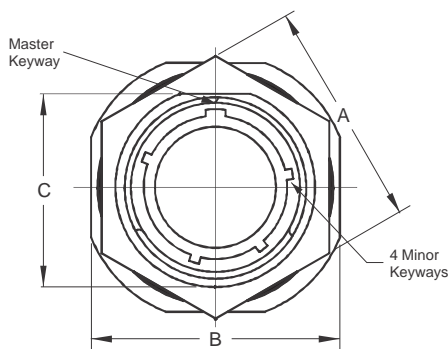
While the information contained herein in this catalog, has been carefully compiled to the best of our knowledge, nothing is intended as representation and warranty on our part; and no statement shall be construed as recommendation to infringe any of existing patents. We accept no liability of whatsoever for any faults and errors in the information contained herein. Contents of this catalogue and specifications of the products, are subject to change without notice due to continuous improvements.



**D38999  
Wallmount**

Unit: mm(inch)

Shell Size	A		B		C		D		E		F		G		H (dia)		No. of Teeth
	(TP)		(TP)		±.012	±.30	±.008	±.20	±.008	±.20	Maximum		Maximum		Maximum		
	inch	mm	inch	mm	inch	mm	inch	mm	inch	mm	inch	mm	inch	mm	inch	mm	
A	.719	18.26	.594	15.09	.937	23.80	.128	3.25	.216	5.49	.820	20.83	.098	2.50	.299	7.59	12
B	.812	20.62	.719	18.26	1.031	26.20	.128	3.25	.194	4.93	.820	20.83	.098	2.50	.427	10.85	16
C	.906	23.01	.812	20.62	1.126	28.60	.128	3.25	.194	4.93	.820	20.83	.098	2.50	.541	13.74	20
D	.969	24.61	.906	23.01	1.220	31.00	.128	3.25	.173	4.39	.820	20.83	.098	2.50	.666	16.92	24
E	1.062	26.97	.969	24.61	1.311	33.30	.128	3.25	.194	4.93	.820	20.83	.098	2.50	.791	20.09	28
F	1.156	29.36	1.062	26.97	1.437	36.50	.128	3.25	.194	4.93	.820	20.83	.098	2.50	.897	22.78	32
G	1.250	31.75	1.156	29.36	1.563	39.70	.128	3.25	.194	4.93	.790	20.07	.126	3.20	1.022	25.96	36
H	1.375	34.93	1.250	31.75	1.689	42.90	.154	3.91	.242	6.15	.790	20.07	.126	3.20	1.147	29.13	40
J	1.500	38.10	1.375	34.93	1.811	46.00	.154	3.91	.242	6.15	.790	20.07	.126	3.20	1.272	32.31	44



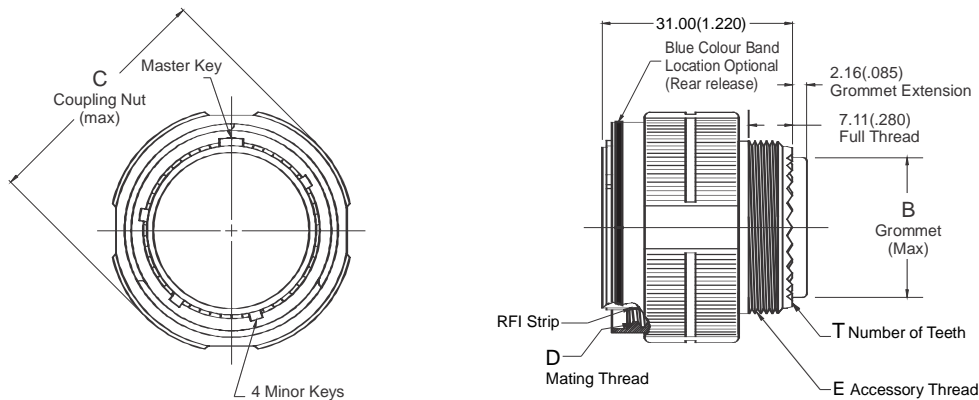
**D38999  
Jamnut**

Unit: mm(inch)

Shell Size	A		B		C		D		E		F (dia)		G	No. of Teeth
			±.016	±.40	+0.04	+1.0	+0.024	+0.60	+0.035	+0.90	Maximum		Jam Nut	
	inch	mm	inch	mm	inch	mm	inch	mm	inch	mm	inch	mm	0.100R	
A	.94/.86	24.0/21.82	1.063	27.00	.651	16.53	.555	14.10	.087	2.20	.299	7.59	M17x1-6g	12
B	1.063/.98	27.0/24.99	1.252	31.80	.751	19.07	.555	14.10	.087	2.20	.427	10.85	M20x1-6g	16
C	1.25/1.17	32.0/29.77	1.374	34.90	.938	23.82	.555	14.10	.087	2.20	.541	13.74	M25x1-6g	20
D	1.42/1.29	36.0/32.91	1.500	38.10	1.062	26.97	.555	14.10	.087	2.20	.666	16.92	M28x1-6g	24
E	1.45/1.42	37.0/36.12	1.626	41.30	1.187	30.15	.555	14.10	.087	2.20	.791	20.09	M32x1-6g	28
F	1.61/1.54	41.0/39.26	1.811	46.00	1.312	33.32	.555	14.10	.118	3.00	.897	22.78	M35x1-6g	32
G	1.81/1.67	46.0/42.47	1.937	49.20	1.437	36.50	.555	14.10	.118	3.00	1.022	25.96	M38x1-6g	36
H	1.97/1.79	50.0/45.61	2.063	52.40	1.562	39.67	.555	14.10	.118	3.00	1.147	29.13	M41x1-6g	40
J	2.02/1.94	51.2/49.25	2.189	55.60	1.687	42.85	.555	14.10	.118	3.00	1.272	32.31	M44x1-6g	44

Shown trademarks are property of their respective owners.

While the information contained herein in this catalog, has been carefully compiled to the best of our knowledge, nothing is intended as representation and warranty on our part; and no statement shall be construed as recommendation to infringe any of existing patents. We accept no liability of whatsoever for any faults and errors in the information contained herein. Contents of this catalogue and specifications of the products, are subject to change without notice due to continuous improvements.



D38999 Plug

Unit: mm(inch)

Shell Size	B		C		D	E	T
	Maximum		Maximum				
	inch	mm	inch	mm			
A	.299	7.59	.858	21.80	.6250-0.1P-0.3L	M12x1.0-6g 0.100R	12
B	.427	10.85	.984	25.00	.7500-0.1P-0.3L	M15x1.0-6g 0.100R	16
C	.541	13.74	1.157	29.40	.8750-0.1P-0.3L	M18x1.0-6g 0.100R	20
D	.666	16.92	1.280	32.50	1.0000-0.1P-0.3L	M22x1.0-6g 0.100R	24
E	.791	20.09	1.406	35.70	1.1875-0.1P-0.3L	M25x1.0-6g 0.100R	28
F	.897	22.78	1.516	38.50	1.2500-0.1P-0.3L	M28x1.0-6g 0.100R	32
G	1.022	25.96	1.642	41.70	1.3750-0.1P-0.3L	M31x1.0-6g 0.100R	36
H	1.147	29.13	1.768	44.90	1.5000-0.1P-0.3L	M34x1.0-6g 0.100R	40
J	1.272	32.31	1.890	48.00	1.6250-0.1P-0.3L	M37x1.0-6g 0.100R	44

**Specifications of D38999 Series III series connectors**

Parameter	Specifications
MIL Qualification	Should be MIL-DTL-38999 Series III Qualified
Shell Material	Aluminium Alloy
Shell Plating	Olive drab cadmium
Insulator	Thermoplastic or thermoset
Contacts	Copper Alloy
Contacts Plating	Gold over Nickel plated
Endurance	500 mating / unmating operations
Shock	300G for 3 ms
Vibration	60G sine, 44G random
Temperature Range	-65 to +200°C
Insulation Resistance	>5000 MOhms (at 500Vdc)

Shown trademarks are property of their respective owners.

While the information contained herein in this catalog, has been carefully compiled to the best of our knowledge, nothing is intended as representation and warranty on our part; and no statement shall be construed as recommendation to infringe any of existing patents. We accept no liability of whatsoever for any faults and errors in the information contained herein. Contents of this catalogue and specifications of the products, are subject to change without notice due to continuous improvements.

**Listing of Some Common D38999 Series III Connectors, Plug Type**  
 (Below is a partial listing - other insert patterns, keying arrangements available)

MIL P/N	Type	Material	Plating	No of Contacts	Contact Size	Insert Patterns
D38999/26WA35PA	Plug	Aluminium	Olive Drab	6	22D	
D38999/26WA35PB	Plug	Aluminium	Olive Drab	6	22D	
D38999/26WA35PN	Plug	Aluminium	Olive Drab	6	22D	
D38999/26WA35SA	Plug	Aluminium	Olive Drab	6	22D	
D38999/26WA35SB	Plug	Aluminium	Olive Drab	6	22D	
D38999/26WA35SN	Plug	Aluminium	Olive Drab	6	22D	
D38999/26WB35PA	Plug	Aluminium	Olive Drab	13	22D	
D38999/26WB35PB	Plug	Aluminium	Olive Drab	13	22D	
D38999/26WB35PN	Plug	Aluminium	Olive Drab	13	22D	
D38999/26WB35SA	Plug	Aluminium	Olive Drab	13	22D	
D38999/26WB35SB	Plug	Aluminium	Olive Drab	13	22D	
D38999/26WB35SN	Plug	Aluminium	Olive Drab	13	22D	
D38999/26WB98PA	Plug	Aluminium	Olive Drab	6	20	
D38999/26WB98PB	Plug	Aluminium	Olive Drab	6	20	
D38999/26WB98PN	Plug	Aluminium	Olive Drab	6	20	
D38999/26WB98SA	Plug	Aluminium	Olive Drab	6	20	
D38999/26WB98SB	Plug	Aluminium	Olive Drab	6	20	
D38999/26WB98SN	Plug	Aluminium	Olive Drab	6	20	
D38999/26WC35AN	Plug	Aluminium	Olive Drab	22	22D	
D38999/26WC35BN	Plug	Aluminium	Olive Drab	22	22D	
D38999/26WC35PB	Plug	Aluminium	Olive Drab	22	22D	
D38999/26WC35PN	Plug	Aluminium	Olive Drab	22	22D	
D38999/26WC35SA	Plug	Aluminium	Olive Drab	22	22D	
D38999/26WC35SB	Plug	Aluminium	Olive Drab	22	22D	
D38999/26WC35SN	Plug	Aluminium	Olive Drab	22	22D	
D38999/26WD35BA	Plug	Aluminium	Olive Drab	37	22D	
D38999/26WD35BN	Plug	Aluminium	Olive Drab	37	22D	
D38999/26WD35PA	Plug	Aluminium	Olive Drab	37	22D	
D38999/26WD35PB	Plug	Aluminium	Olive Drab	37	22D	
D38999/26WD35PN	Plug	Aluminium	Olive Drab	37	22D	
D38999/26WE35AA	Plug	Aluminium	Olive Drab	55	22D	
D38999/26WE35AN	Plug	Aluminium	Olive Drab	55	22D	
D38999/26WE35BN	Plug	Aluminium	Olive Drab	55	22D	
D38999/26WE35PA	Plug	Aluminium	Olive Drab	55	22D	
D38999/26WE35PB	Plug	Aluminium	Olive Drab	55	22D	
D38999/26WE35PN	Plug	Aluminium	Olive Drab	55	22D	
D38999/26WE35SA	Plug	Aluminium	Olive Drab	55	22D	
D38999/26WG35BN	Plug	Aluminium	Olive Drab	79	22D	
D38999/26WG35PA	Plug	Aluminium	Olive Drab	79	22D	
D38999/26WG35PB	Plug	Aluminium	Olive Drab	79	22D	
D38999/26WG35PN	Plug	Aluminium	Olive Drab	79	22D	
D38999/26WG35SA	Plug	Aluminium	Olive Drab	79	22D	
D38999/26WG35SB	Plug	Aluminium	Olive Drab	79	22D	
D38999/26WG35SN	Plug	Aluminium	Olive Drab	79	22D	

Shown trademarks are property of their respective owners.

While the information contained herein in this catalog, has been carefully compiled to the best of our knowledge, nothing is intended as representation and warranty on our part; and no statement shall be construed as recommendation to infringe any of existing patents. We accept no liability of whatsoever for any faults and errors in the information contained herein. Contents of this catalogue and specifications of the products, are subject to change without notice due to continuous improvements.

**Listing of Some Common D38999 Series III Connectors, Jamnut Type**  
**(Below is a partial listing - other insert patterns, keying arrangements available)**

MIL P/N	Type	Material	Plating	No of Contacts	Contact Size	Insert Patterns
D38999/24WA35BN	Jamnut	Aluminium	Olive Drab	6	22D	
D38999/24WA35PA	Jamnut	Aluminium	Olive Drab	6	22D	
D38999/24WA35PB	Jamnut	Aluminium	Olive Drab	6	22D	
D38999/24WA35PN	Jamnut	Aluminium	Olive Drab	6	22D	
D38999/24WA35SA	Jamnut	Aluminium	Olive Drab	6	22D	
D38999/24WA35SB	Jamnut	Aluminium	Olive Drab	6	22D	
D38999/24WA35SN	Jamnut	Aluminium	Olive Drab	6	22D	
D38999/24WB35AN	Jamnut	Aluminium	Olive Drab	13	22D	
D38999/24WB35BA	Jamnut	Aluminium	Olive Drab	13	22D	
D38999/24WB35BN	Jamnut	Aluminium	Olive Drab	13	22D	
D38999/24WB35PA	Jamnut	Aluminium	Olive Drab	13	22D	
D38999/24WB35PB	Jamnut	Aluminium	Olive Drab	13	22D	
D38999/24WB35PN	Jamnut	Aluminium	Olive Drab	13	22D	
D38999/24WB35SA	Jamnut	Aluminium	Olive Drab	13	22D	
D38999/24WB35SB	Jamnut	Aluminium	Olive Drab	13	22D	
D38999/24WB98AN	Jamnut	Aluminium	Olive Drab	6	20	
D38999/24WB98PA	Jamnut	Aluminium	Olive Drab	6	20	
D38999/24WB98PB	Jamnut	Aluminium	Olive Drab	6	20	
D38999/24WB98PN	Jamnut	Aluminium	Olive Drab	6	20	
D38999/24WB98SA	Jamnut	Aluminium	Olive Drab	6	20	
D38999/24WB98SB	Jamnut	Aluminium	Olive Drab	6	20	
D38999/24WB98SN	Jamnut	Aluminium	Olive Drab	6	20	
D38999/24WC35AB	Jamnut	Aluminium	Olive Drab	22	22D	
D38999/24WC35AN	Jamnut	Aluminium	Olive Drab	22	22D	
D38999/24WC35BN	Jamnut	Aluminium	Olive Drab	22	22D	
D38999/24WC35PA	Jamnut	Aluminium	Olive Drab	22	22D	
D38999/24WC35PB	Jamnut	Aluminium	Olive Drab	22	22D	
D38999/24WC35PN	Jamnut	Aluminium	Olive Drab	22	22D	
D38999/24WC35SA	Jamnut	Aluminium	Olive Drab	22	22D	
D38999/24WC35SB	Jamnut	Aluminium	Olive Drab	22	22D	
D38999/24WC35SN	Jamnut	Aluminium	Olive Drab	22	22D	
D38999/24WD35AN	Jamnut	Aluminium	Olive Drab	37	22D	
D38999/24WD35BA	Jamnut	Aluminium	Olive Drab	37	22D	
D38999/24WD35BN	Jamnut	Aluminium	Olive Drab	37	22D	
D38999/24WD35PA	Jamnut	Aluminium	Olive Drab	37	22D	
D38999/24WD35PB	Jamnut	Aluminium	Olive Drab	37	22D	
D38999/24WD35PN	Jamnut	Aluminium	Olive Drab	37	22D	
D38999/24WD35SA	Jamnut	Aluminium	Olive Drab	37	22D	
D38999/24WD35SB	Jamnut	Aluminium	Olive Drab	37	22D	
D38999/24WD35SN	Jamnut	Aluminium	Olive Drab	37	22D	

Shown trademarks are property of their respective owners.

While the information contained herein in this catalog, has been carefully compiled to the best of our knowledge, nothing is intended as representation and warranty on our part; and no statement shall be construed as recommendation to infringe any of existing patents. We accept no liability of whatsoever for any faults and errors in the information contained herein. Contents of this catalogue and specifications of the products, are subject to change without notice due to continuous improvements.



**Listing of Some Common D38999 Series III Connectors, *Wallmount* Type**  
 (Below is a partial listing - other insert patterns, keying arrangements available)

MILP/N	Type	Material	Plating	No of Contacts	Contact Size	Insert Patterns
D38999/20WA35BN	Wallmount	Aluminium	Olive Drab	6	22D	
D38999/20WA35PA	Wallmount	Aluminium	Olive Drab	6	22D	
D38999/20WA35PB	Wallmount	Aluminium	Olive Drab	6	22D	
D38999/20WA35PN	Wallmount	Aluminium	Olive Drab	6	22D	
D38999/20WA35SA	Wallmount	Aluminium	Olive Drab	6	22D	
D38999/20WA35SB	Wallmount	Aluminium	Olive Drab	6	22D	
D38999/20WA35SN	Wallmount	Aluminium	Olive Drab	6	22D	
D38999/20WB35AN	Wallmount	Aluminium	Olive Drab	13	22D	
D38999/20WB35PA	Wallmount	Aluminium	Olive Drab	13	22D	
D38999/20WB35PB	Wallmount	Aluminium	Olive Drab	13	22D	
D38999/20WB35PN	Wallmount	Aluminium	Olive Drab	13	22D	
D38999/20WB35SA	Wallmount	Aluminium	Olive Drab	13	22D	
D38999/20WB35SB	Wallmount	Aluminium	Olive Drab	13	22D	
D38999/20WB98AN	Wallmount	Aluminium	Olive Drab	6	20	
D38999/20WB98PA	Wallmount	Aluminium	Olive Drab	6	20	
D38999/20WB98PN	Wallmount	Aluminium	Olive Drab	6	20	
D38999/20WB98SA	Wallmount	Aluminium	Olive Drab	6	20	
D38999/20WB98SB	Wallmount	Aluminium	Olive Drab	6	20	
D38999/20WB98SN	Wallmount	Aluminium	Olive Drab	6	20	
D38999/20WC35AB	Wallmount	Aluminium	Olive Drab	22	22D	
D38999/20WC35AN	Wallmount	Aluminium	Olive Drab	22	22D	
D38999/20WC35BN	Wallmount	Aluminium	Olive Drab	22	22D	
D38999/20WC35PA	Wallmount	Aluminium	Olive Drab	22	22D	
D38999/20WC35PB	Wallmount	Aluminium	Olive Drab	22	22D	
D38999/20WC35PN	Wallmount	Aluminium	Olive Drab	22	22D	
D38999/20WC35SA	Wallmount	Aluminium	Olive Drab	22	22D	
D38999/20WC35SB	Wallmount	Aluminium	Olive Drab	22	22D	
D38999/20WD35PA	Wallmount	Aluminium	Olive Drab	37	22D	
D38999/20WD35PB	Wallmount	Aluminium	Olive Drab	37	22D	
D38999/20WD35PN	Wallmount	Aluminium	Olive Drab	37	22D	
D38999/20WD35SA	Wallmount	Aluminium	Olive Drab	37	22D	
D38999/20WD35SB	Wallmount	Aluminium	Olive Drab	37	22D	
D38999/20WD35SN	Wallmount	Aluminium	Olive Drab	37	22D	
D38999/20WE35AA	Wallmount	Aluminium	Olive Drab	55	22D	
D38999/20WE35AN	Wallmount	Aluminium	Olive Drab	55	22D	
D38999/20WE35BN	Wallmount	Aluminium	Olive Drab	55	22D	
D38999/20WE35PA	Wallmount	Aluminium	Olive Drab	55	22D	
D38999/20WE35PB	Wallmount	Aluminium	Olive Drab	55	22D	
D38999/20WE35PN	Wallmount	Aluminium	Olive Drab	55	22D	
D38999/20WE35SA	Wallmount	Aluminium	Olive Drab	55	22D	
D38999/20WE35SB	Wallmount	Aluminium	Olive Drab	55	22D	
D38999/20WE35SN	Wallmount	Aluminium	Olive Drab	55	22D	

Shown trademarks are property of their respective owners.

While the information contained herein in this catalog, has been carefully compiled to the best of our knowledge, nothing is intended as representation and warranty on our part; and no statement shall be construed as recommendation to infringe any of existing patents. We accept no liability of whatsoever for any faults and errors in the information contained herein. Contents of this catalogue and specifications of the products, are subject to change without notice due to continuous improvements.