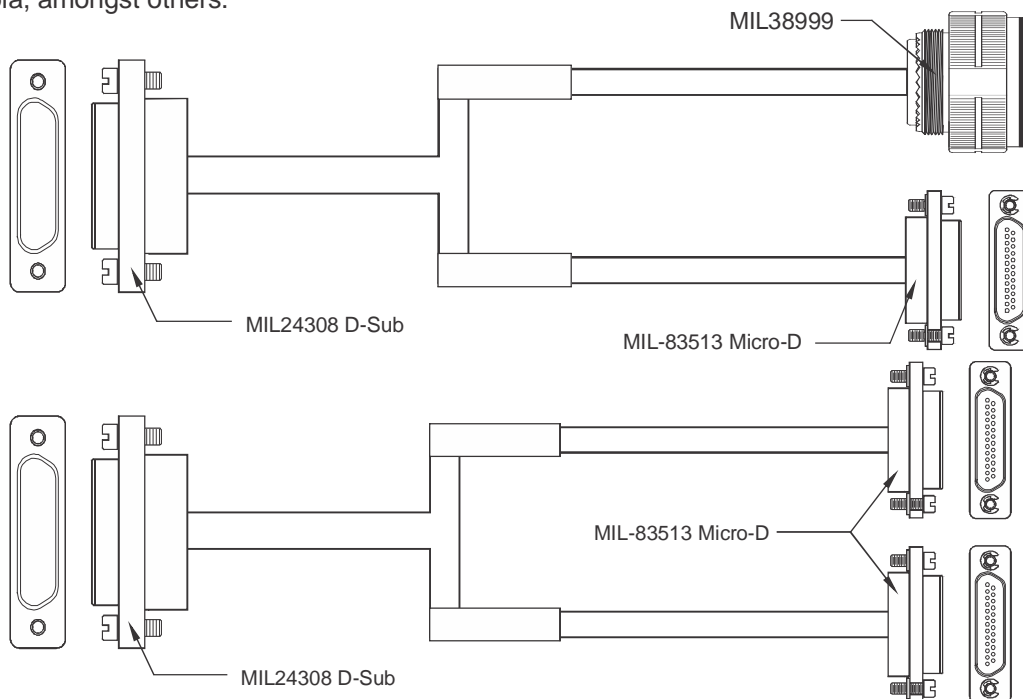


We provide hi-quality D-Sub harnesses which conform to MIL-24308 standard. Our area of focus is mixed connector harnesses with Micro-D, MIL38999 or other MIL connectors. Harnesses could be multi-branch harnesses. A hi-quality process and test setup from renowned vendors ensures reliability for MIL applications.



Cable Sets incorporate QPL connectors and cables from Tyco, Cinch, Habia, amongst others.



MIL QPL MATERIALS & VENDORS

- MIL-24308 QPL Connectors from suppliers like Tyco, Cinch or equivalent
- MIL -22759 PTFE Cables from Habia or Equivalent
- MIL-39029 contacts (size 20)

FEATURES

- 100% tested for voltage, insulation resistance and continuity
- Temperature range upto 125C.
- Complex harnesses with D-Sub, Micro-D, MIL38999 or any other MIL connectors
- D-Sub multi-branch harnesses
- Specialized versions like with filters, coaxial contacts, high ampere contacts

SETUP

- Kikusui Japan - Insulation resistance tester
- Agilent VNA upto 20 GHz
- Anritsu 4630A for filters, impedance testing
- SRS USA Programmable tester for resistance, capacitance and continuity
- MIL Crimping Setup
- Weller Germany soldering stations
- Controlled heat resistance soldering
- Thermal Wire Stripper, Imported from USA

APPLICATIONS

- Military equipment
- Aerospace
- Radars, ECM, EW
- ECM, EW
- Communication systems

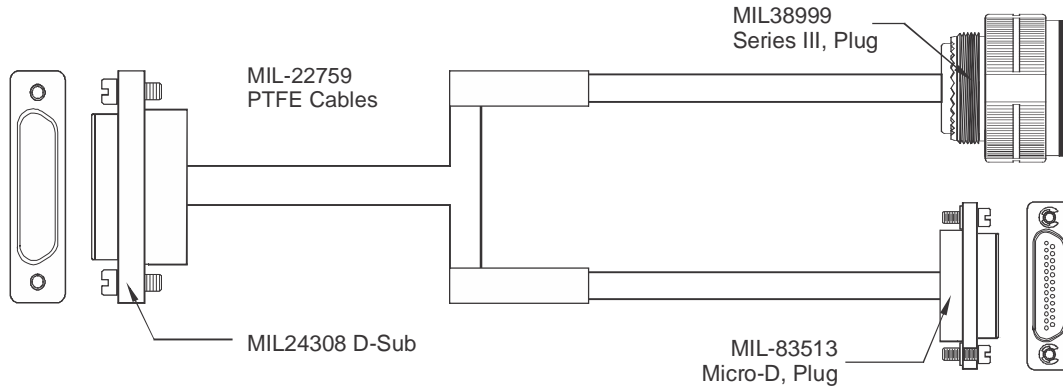
Shown trademarks are property of their respective owners.

While the information contained herein in this catalog, has been carefully compiled to the best of our knowledge, nothing is intended as representation and warranty on our part; and no statement shall be construed as recommendation to infringe any of existing patents. We accept no liability of whatsoever for any faults and errors in the information contained herein. Contents of this catalogue and specifications of the products, are subject to change without notice due to continuous improvements.

D-Sub MIL-24308, MIL38999 & Micro-D Mixed Harnesses

D-Sub Harnesses • D-Sub to M38999 harnesses • Micro-D ~ D-Sub Multi-Branch

D-Sub (MIL24308) ~ Micro-D (MIL83513) / MIL38999 Cable Sets (Multiple Branches)



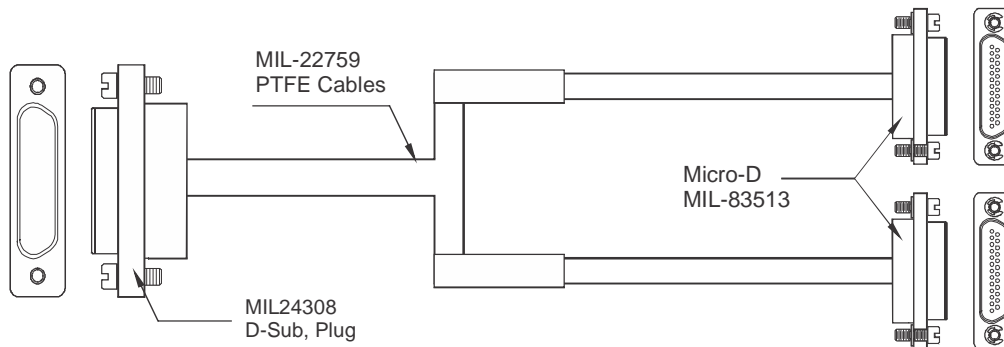
Our Part Number	Length Inches (cm)	Wires	Connector 1		Connector 2			Connector 3		Cable Color	AWG	Branches
			Type	Size	Type	Size	Type	Size				
MID-DS03DC-D30326WB35-M03AN -18I-P24W-2-00	18 (46)	24	D-Sub	Plug 25P	38999	Plug	B35	Micro-D	Plug 9P	White	24	2
MID- DS03DC-D30326WB35-M03AN -36I-P24W-2-00	36 (92)	24	D-Sub	Plug 25P	38999	Plug	B35	Micro-D	Plug 9P	White	24	2
MID- DS03DC-D30326WB35-M03AN -18I-P24R-2-00	18 (46)	24	D-Sub	Plug 25P	38999	Plug	B35	Micro-D	Plug 9P	10 repeat	24	2
MID- DS03DC-D30326WB35-M03AN -36I-P24R-2-00	36 (92)	24	D-Sub	Plug 25P	38999	Plug	B35	Micro-D	Plug 9P	10 repeat	24	2
MID- DS03FC-D30326WB35-M03CN -18I-P24W-2-00	18 (46)	36	D-Sub	Plug 37P	38999	Plug	B35	Micro-D	Plug 21P	White	24	2
MID- DS03FC-D30326WB35-M03CN -36I-P24W-2-00	36 (92)	36	D-Sub	Plug 37P	38999	Plug	B35	Micro-D	Plug 21P	White	24	2
MID- DS03FC-D30326WB35-M03CN -18I-P24R-2-00	18 (46)	36	D-Sub	Plug 37P	38999	Plug	B35	Micro-D	Plug 21P	10 repeat	24	2
MID- DS03FC-D30326WB35-M03CN -36I-P24R-2-00	36 (92)	36	D-Sub	Plug 37P	38999	Plug	B35	Micro-D	Plug 21P	10 repeat	24	2
MID- DS03GC-D326WC35-M03DN -18I-P24W-2-00	18 (46)	47	D-Sub	Plug 50P	38999	Plug	C35	Micro-D	Plug 25P	White	24	2
MID- DS03GC-D326WC35-M03DN -36I-P24W-2-00	36 (92)	47	D-Sub	Plug 50P	38999	Plug	C35	Micro-D	Plug 25P	White	24	2
MID- DS03GC-D326WC35-M03DN -18I-P24R-2-00	18 (46)	47	D-Sub	Plug 50P	38999	Plug	C35	Micro-D	Plug 25P	10 repeat	24	2
MID- DS03GC-D326WC35-M03DN -36I-P24R-2-00	36 (92)	47	D-Sub	Plug 50P	38999	Plug	C35	Micro-D	Plug 25P	10 repeat	24	2

Note: Custom designs as per customer asked lengths, different number of contacts, other MIL-22579 wires, other MIL38999 insert arrangements, thicker wire for higher current, wire colors and other customizations possible on request.

Shown trademarks are property of their respective owners.

While the information contained herein in this catalog, has been carefully compiled to the best of our knowledge, nothing is intended as representation and warranty on our part; and no statement shall be construed as recommendation to infringe any of existing patents. We accept no liability of whatsoever for any faults and errors in the information contained herein. Contents of this catalogue and specifications of the products, are subject to change without notice due to continuous improvements.

D-Sub (MIL24308) Plug ~ 2 x Micro-D (MIL83513) Pin (Multiple Branches)



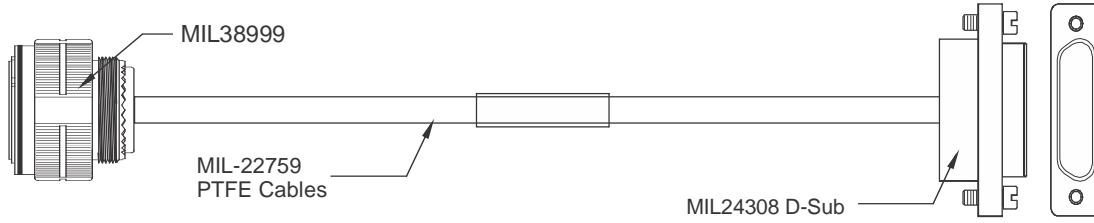
Our Part Number	Length Inches (cm)	Wires	Connector 1		Connector 2		Connector 3		Cable Color	AWG	Branches
			Micro-D	Plug	Micro-D	Plug	D-Sub	Plug			
MID-M03AN- M03AN-DS03DC-18I-P24W-2-00	18 (46)	18	Micro-D	Plug 9P	Micro-D	Plug 9P	D-Sub	Plug 25P	White	24	2
MID-M03AN- M03AN-DS03DC-36I-P24W-2-00	36 (92)	18	Micro-D	Plug 9P	Micro-D	Plug 9P	D-Sub	Plug 25P	White	24	2
MID-M03AN- M03AN-DS03DC-18I-P24R-2-00	18 (46)	18	Micro-D	Plug 9P	Micro-D	Plug 9P	D-Sub	Plug 25P	10 repeat	24	2
MID-M03AN- M03AN-DS03DC-36I-P24R-2-00	36 (92)	18	Micro-D	Plug 9P	Micro-D	Plug 9P	D-Sub	Plug 25P	10 repeat	24	2
MID-M03BN- M03BN-DS03FC-18I-P24W-2-00	18 (46)	30	Micro-D	Plug 15P	Micro-D	Plug 15P	D-Sub	Plug 37P	White	24	2
MID-M03BN- M03BN-DS03FC-36I-P24W-2-00	36 (92)	30	Micro-D	Plug 15P	Micro-D	Plug 15P	D-Sub	Plug 37P	White	24	2
MID-M03BN- M03BN-DS03FC-18I-P24R-2-00	18 (46)	30	Micro-D	Plug 15P	Micro-D	Plug 15P	D-Sub	Plug 37P	10 repeat	24	2
MID-M03BN- M03BN-DS03FC-36I-P24R-2-00	36 (92)	30	Micro-D	Plug 15P	Micro-D	Plug 15P	D-Sub	Plug 37P	10 repeat	24	2
MID-M03DN- M03DN-DS03GC-18I-P24W-2-00	18 (46)	50	Micro-D	Plug 25P	Micro-D	Plug 25P	D-Sub	Plug 50P	White	24	2
MID-M03DN- M03DN-DS03GC-36I-P24W-2-00	36 (92)	50	Micro-D	Plug 25P	Micro-D	Plug 25P	D-Sub	Plug 50P	White	24	2
MID-M03DN- M03DN-DS03GC-18I-P24R-2-00	18 (46)	50	Micro-D	Plug 25P	Micro-D	Plug 25P	D-Sub	Plug 50P	10 repeat	24	2
MID-M03DN- M03DN-DS03GC-36I-P24R-2-00	36 (92)	50	Micro-D	Plug 25P	Micro-D	Plug 25P	D-Sub	Plug 50P	10 repeat	24	2

Note: Custom designs as per customer asked lengths, different number of contacts, other MIL-22579 wires, other MIL38999 insert arrangements, thicker wire for higher current, wire colors and other customizations possible on request.

D-Sub MIL-24308, MIL38999 & Micro-D Mixed Harnesses

D-Sub Harnesses • D-Sub to M38999 harnesses • Micro-D ~ D-Sub Multi-Branch

D-Sub (MIL24308) Plug ~ MIL-38999 Cable Sets, 1 Branch



Our Part Number	Length Inches (cm)	Wires	Connector 1		Connector 2		Size	Cable type	Cable Color	AWG	Branches
			D-Sub	Plug	MIL38999	Plug					
MID-DS03AC-D30326WB35-18I-P24W-1-00	18 (46)	9	D-Sub	Plug	MIL38999	Plug	B35	PTFE	White	24	1
MID-DS03AC-D30326WB35-36I-P24W-1-00	36 (92)	9	D-Sub	Plug	MIL38999	Plug	B35	PTFE	White	24	1
MID-DS03AC-D30326WB35-18I-P24R-1-00	18 (46)	9	D-Sub	Plug	MIL38999	Plug	B35	PTFE	10 repeat	24	1
MID-DS03AC-D30326WB35-36I-P24R-1-00	36 (92)	9	D-Sub	Plug	MIL38999	Plug	B35	PTFE	10 repeat	24	1
MID-DS03BC-D30326WC35-18I-P24W-1-00	18 (46)	15	D-Sub	Plug	MIL38999	Plug	C35	PTFE	White	24	1
MID-DS03BC-D30326WC35-36I-P24W-1-00	36 (92)	15	D-Sub	Plug	MIL38999	Plug	C35	PTFE	White	24	1
MID-DS03BC-D30326WC35-18I-P24R-1-00	18 (46)	15	D-Sub	Plug	MIL38999	Plug	C35	PTFE	10 repeat	24	1
MID-DS03BC-D30326WC35-36I-P24R-1-00	36 (92)	15	D-Sub	Plug	MIL38999	Plug	C35	PTFE	10 repeat	24	1
MID-DS03DC-D30326WD35-18I-P24W-1-00	18 (46)	25	D-Sub	Plug	MIL38999	Plug	D35	PTFE	White	24	1
MID-DS03DC-D30326WD35-36I-P24W-1-00	36 (92)	25	D-Sub	Plug	MIL38999	Plug	D35	PTFE	White	24	1
MID-DS03DC-D30326WD35-18I-P24R-1-00	18 (46)	25	D-Sub	Plug	MIL38999	Plug	D35	PTFE	10 repeat	24	1
MID-DS03DC-D30326WD35-36I-P24R-1-00	36 (92)	25	D-Sub	Plug	MIL38999	Plug	D35	PTFE	10 repeat	24	1
MID-DS03FC-D30326WD35-18I-P24W-1-00	18 (46)	37	D-Sub	Plug	MIL38999	Plug	D35	PTFE	White	24	1
MID-DS03FC-D30326WD35-36I-P24W-1-00	36 (92)	37	D-Sub	Plug	MIL38999	Plug	D35	PTFE	White	24	1
MID-DS03FC-D30326WD35-18I-P24R-1-00	18 (46)	37	D-Sub	Plug	MIL38999	Plug	D35	PTFE	10 repeat	24	1
MID-DS03FC-D30326WD35-36I-P24R-1-00	36 (92)	37	D-Sub	Plug	MIL38999	Plug	D35	PTFE	10 repeat	24	1
MID-DS03GC-D30326WE35-18I-P24W-1-00	18 (46)	50	D-Sub	Plug	MIL38999	Plug	E35	PTFE	White	24	1
MID-DS03GC-D30326WE35-36I-P24W-1-00	36 (92)	50	D-Sub	Plug	MIL38999	Plug	E35	PTFE	White	24	1
MID-DS03GC-D30326WE35-18I-P24R-1-00	18 (46)	50	D-Sub	Plug	MIL38999	Plug	E35	PTFE	10 repeat	24	1
MID-DS03GC-D30326WE35-36I-P24R-1-00	36 (92)	50	D-Sub	Plug	MIL38999	Plug	E35	PTFE	10 repeat	24	1

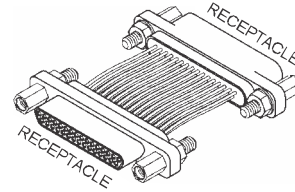
Note: Custom designs as per customer asked lengths, different number of contacts, other MIL-22579 wires, other MIL38999 insert arrangements, thicker wire for higher current, wire colors and other customizations possible on request.

Shown trademarks are property of their respective owners.

While the information contained herein in this catalog, has been carefully compiled to the best of our knowledge, nothing is intended as representation and warranty on our part; and no statement shall be construed as recommendation to infringe any of existing patents. We accept no liability of whatsoever for any faults and errors in the information contained herein. Contents of this catalogue and specifications of the products, are subject to change without notice due to continuous improvements.

MIL-24308 D-Sub Receptacle to MIL-24308 D-Sub Receptacle Cable Sets

- MIL-24308 D-Sub connectors from Cinch, Tyco or equivalent
- MIL -22759 cables from Habia or equivalent



Our Part Number	Length Inches (cm)	No. of Pins	Conn 1	Conn 2	Cable type	Cable Color	AWG	Bran-ches
MID-DS04AC-DS04AC-18I-P24W-1-00	18 (46)	9	D-Sub Receptacle	D-Sub Receptacle	PTFE	White	24	1
MID-DS04AC-DS04AC-28I-P24W-1-00	28 (70)	9	D-Sub Receptacle	D-Sub Receptacle	PTFE	White	24	1
MID-DS04AC-DS04AC-36I-P24W-1-00	36 (92)	9	D-Sub Receptacle	D-Sub Receptacle	PTFE	White	24	1
MID-DS04AC-DS04AC-59I-P24W-1-00	59 (150)	9	D-Sub Receptacle	D-Sub Receptacle	PTFE	White	24	1
MID-DS04BC-DS04BC-18I-P24W-1-00	18 (46)	15	D-Sub Receptacle	D-Sub Receptacle	PTFE	White	24	1
MID-DS04BC-DS04BC-28I-P24W-1-00	28 (70)	15	D-Sub Receptacle	D-Sub Receptacle	PTFE	White	24	1
MID-DS04BC-DS04BC-36I-P24W-1-00	36 (92)	15	D-Sub Receptacle	D-Sub Receptacle	PTFE	White	24	1
MID-DS04BC-DS04BC-59I-P24W-1-00	59 (150)	15	D-Sub Receptacle	D-Sub Receptacle	PTFE	White	24	1
MID-DS04DC-DS04DC-18I-P24W-1-00	18 (46)	25	D-Sub Receptacle	D-Sub Receptacle	PTFE	White	24	1
MID-DS04DC-DS04DC-28I-P24W-1-00	28 (70)	25	D-Sub Receptacle	D-Sub Receptacle	PTFE	White	24	1
MID-DS04DC-DS04DC-36I-P24W-1-00	36 (92)	25	D-Sub Receptacle	D-Sub Receptacle	PTFE	White	24	1
MID-DS04DC-DS04DC-59I-P24W-1-00	59 (150)	25	D-Sub Receptacle	D-Sub Receptacle	PTFE	White	24	1
MID-DS04FC-DS04FC-18I-P24W-1-00	18 (46)	37	D-Sub Receptacle	D-Sub Receptacle	PTFE	White	24	1
MID-DS04FC-DS04FC-28I-P24W-1-00	28 (70)	37	D-Sub Receptacle	D-Sub Receptacle	PTFE	White	24	1
MID-DS04FC-DS04FC-36I-P24W-1-00	36 (92)	37	D-Sub Receptacle	D-Sub Receptacle	PTFE	White	24	1
MID-DS04FC-DS04FC-59I-P24W-1-00	59 (150)	37	D-Sub Receptacle	D-Sub Receptacle	PTFE	White	24	1
MID-DS04GC-DS04GC-18I-P24W-1-00	18 (46)	50	D-Sub Receptacle	D-Sub Receptacle	PTFE	White	24	1
MID-DS04GC-DS04GC-28I-P24W-1-00	28 (70)	50	D-Sub Receptacle	D-Sub Receptacle	PTFE	White	24	1
MID-DS04GC-DS04GC-36I-P24W-1-00	36 (92)	50	D-Sub Receptacle	D-Sub Receptacle	PTFE	White	24	1
MID-DS04GC-DS04GC-59I-P24W-1-00	59 (150)	50	D-Sub Receptacle	D-Sub Receptacle	PTFE	White	24	1

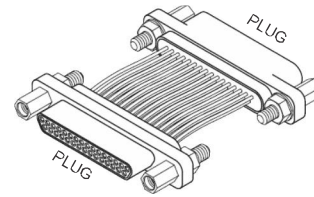
Note: Custom designs as per customer asked lengths, different number of contacts, other MIL-22579 wires, thicker wire for higher current, wire colors and other customizations possible on request.

D-Sub MIL-24308, MIL38999 & Micro-D Mixed Harnesses

D-Sub Harnesses • D-Sub to M38999 harnesses • Micro-D ~ D-Sub Multi-Branch

MIL-24308 D-Sub Pin to MIL-24308 D-Sub Pin Cable Sets

- MIL-24308 D-Sub connectors from Cinch, Tyco or equivalent
- MIL -22759 cables from Habia or equivalent



Our Part Number	Length Inches (cm)	No. of Pins	Conn 1	Conn 2	Cable type	Cable Color	AWG	Bran-ches
MID-DS03AC-DS03AC-18I-P24W-1-00	18 (46)	9	D-Sub Plug	D-Sub Plug	PTFE	White	24	1
MID-DS03AC-DS03AC-28I-P24W-1-00	28 (70)	9	D-Sub Plug	D-Sub Plug	PTFE	White	24	1
MID-DS03AC-DS03AC-36I-P24W-1-00	36 (92)	9	D-Sub Plug	D-Sub Plug	PTFE	White	24	1
MID-DS03AC-DS03AC-59I-P24W-1-00	59 (150)	9	D-Sub Plug	D-Sub Plug	PTFE	White	24	1
MID-DS03BC-DS03BC-18I-P24W-1-00	18 (46)	15	D-Sub Plug	D-Sub Plug	PTFE	White	24	1
MID-DS03BC-DS03BC-28I-P24W-1-00	28 (70)	15	D-Sub Plug	D-Sub Plug	PTFE	White	24	1
MID-DS03BC-DS03BC-36I-P24W-1-00	36 (92)	15	D-Sub Plug	D-Sub Plug	PTFE	White	24	1
MID-DS03BC-DS03BC-59I-P24W-1-00	59 (150)	15	D-Sub Plug	D-Sub Plug	PTFE	White	24	1
MID-DS03DC-DS03DC-18I-P24W-1-00	18 (46)	25	D-Sub Plug	D-Sub Plug	PTFE	White	24	1
MID-DS03DC-DS03DC-28I-P24W-1-00	28 (70)	25	D-Sub Plug	D-Sub Plug	PTFE	White	24	1
MID-DS03DC-DS03DC-36I-P24W-1-00	36 (92)	25	D-Sub Plug	D-Sub Plug	PTFE	White	24	1
MID-DS03DC-DS03DC-59I-P24W-1-00	59 (150)	25	D-Sub Plug	D-Sub Plug	PTFE	White	24	1
MID-DS03FC-DS03FC-18I-P24W-1-00	18 (46)	37	D-Sub Plug	D-Sub Plug	PTFE	White	24	1
MID-DS03FC-DS03FC-28I-P24W-1-00	28 (70)	37	D-Sub Plug	D-Sub Plug	PTFE	White	24	1
MID-DS03FC-DS03FC-36I-P24W-1-00	36 (92)	37	D-Sub Plug	D-Sub Plug	PTFE	White	24	1
MID-DS03FC-DS03FC-59I-P24W-1-00	59 (150)	37	D-Sub Plug	D-Sub Plug	PTFE	White	24	1
MID-DS03GC-DS03GC-18I-P24W-1-00	18 (46)	50	D-Sub Plug	D-Sub Plug	PTFE	White	24	1
MID-DS03GC-DS03GC-28I-P24W-1-00	28 (70)	50	D-Sub Plug	D-Sub Plug	PTFE	White	24	1
MID-DS03GC-DS03GC-36I-P24W-1-00	36 (92)	50	D-Sub Plug	D-Sub Plug	PTFE	White	24	1
MID-DS03GC-DS03GC-59I-P24W-1-00	59 (150)	50	D-Sub Plug	D-Sub Plug	PTFE	White	24	1

Note: Custom designs as per customer asked lengths, different number of contacts, other MIL-22579 wires, thicker wire for higher current, wire colors and other customizations possible on request.

Shown trademarks are property of their respective owners.

While the information contained herein in this catalog, has been carefully compiled to the best of our knowledge, nothing is intended as representation and warranty on our part; and no statement shall be construed as recommendation to infringe any of existing patents. We accept no liability of whatsoever for any faults and errors in the information contained herein. Contents of this catalogue and specifications of the products, are subject to change without notice due to continuous improvements.

Ordering Codes Description

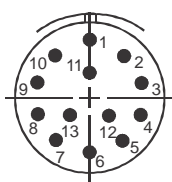
(Connector 1) (Connector 2) (Length) (Cable)

MID - □□□□□ - □□□□□ - □□ - □□□ - □ - □□

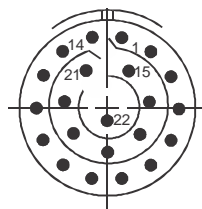
A 1 2 B C A 1 2 B C L U G H I J K K

	A	Connector Type Code	Micro-D MIL83513 = M ; MIL38999 Series III = D3 ; Open = O ; D-Sub MIL24308 = DS
Codes for D-Sub	1	Connector Plug/Socket	Receptacle = 04 ; Plug = 03
	2		N.A for D-Sub
	B	Connector No. of Contacts	9 = A ; 15 = B ; 25 = D ; 37 = F ; 50 = G
	C	Connector Plating	Cadmium with Yellow Chromate = C
Codes for Micro-D	1	Connector Plug/Socket	Socket = 04 ; Pin = 03
	2		N.A for Micro-D
	B	Connector No. of Contacts	9 = A ; 15 = B ; 21 = C ; 25 = D ; 31 = E ; 37 = F ; 51 = G ; 100 = H
	C	Connector Plating	Nickel = N ; Cadmium = C ; Passivated Steel = P
Codes for MIL38999	1	Connector Plug/Socket	Socket = 04 ; Pin = 03
	2	M38999 Shell Type	Wall Mount = 20 ; Jamnut Receptacle = 24 ; Plug = 26
	B	M38999 Class (materials)	Al Shell, electroless Nickel = F ; Al Shell, olive drab Cd over electroless Ni = W
	C	M38999 shell size & arrangement	B35 = Size 11, 13 contacts ; C35 = Size 13, 22 contacts ; D35 = Size 15, 37 contacts ; E35 = Size 17, 55 contacts (refer to MIL38999 specifications for details)
	LU	Cable Length & Unit of Measure	Inch = I ; Centimeter = C ; meter = M ; Feet = F 18 Inch = 18I ; 40 cm = 40C ; 2 meter = 2M
	G	Cable Type	PTFE MIL22579 = P ; ETFE MIL22579 = E
	H	Cable AWG	AWG24 = 24 ; AWG26 = 26 ; AWG28 = 28 ; AWG30=30
	I	Cable Color	White = W ; 10 Color Repeat = R
	J	No. of Branches	1 Branch = 1 ; 2 Branches = 2 and so on
	KK	Internal customization	Used for Internal Purpose ; Default = 00

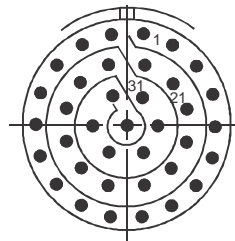
MIL38999 Series III – Selected Shell Sizes and Insert Arrangements



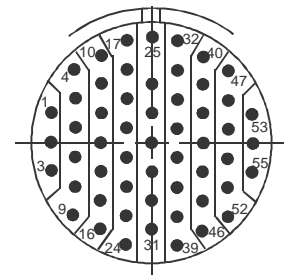
B35, Shell Size 11
15 Contacts



C35, Shell Size 13
22 Contacts



D35, Shell Size 15
37 Contacts



E35, Shell Size 17
55 Contacts

- Contacts are suitable for AWG24 wire
- MIL-38999 plugs, jamnut receptacles, wall mounted receptacles possible
- For full details like shell dimensions etc, refer to MIL-DTL-38999 Series III Specifications
- We normally use aluminium shell with olive drab cadmium over electroless nickel plating

Shown trademarks are property of their respective owners.

While the information contained herein in this catalog, has been carefully compiled to the best of our knowledge, nothing is intended as representation and warranty on our part; and no statement shall be construed as recommendation to infringe any of existing patents. We accept no liability of whatsoever for any faults and errors in the information contained herein. Contents of this catalogue and specifications of the products, are subject to change without notice due to continuous improvements.

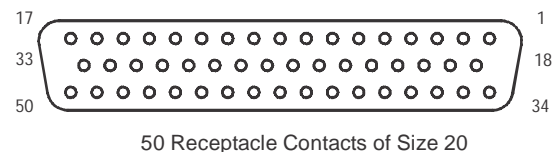
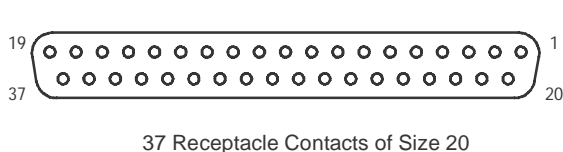
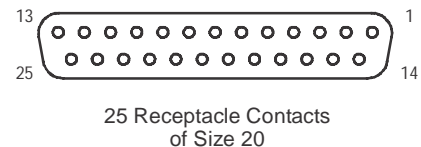
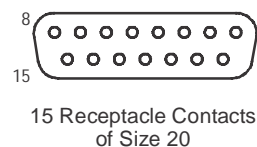
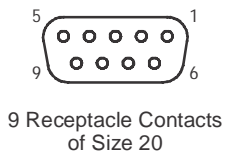
D-Sub MIL-24308, MIL38999 & Micro-D Mixed Harnesses

D-Sub Harnesses • D-Sub to M38999 harnesses • Micro-D ~ D-Sub Multi-Branch

Specifications of MIL-24308 D-Sub Connectors used in our Harnesses

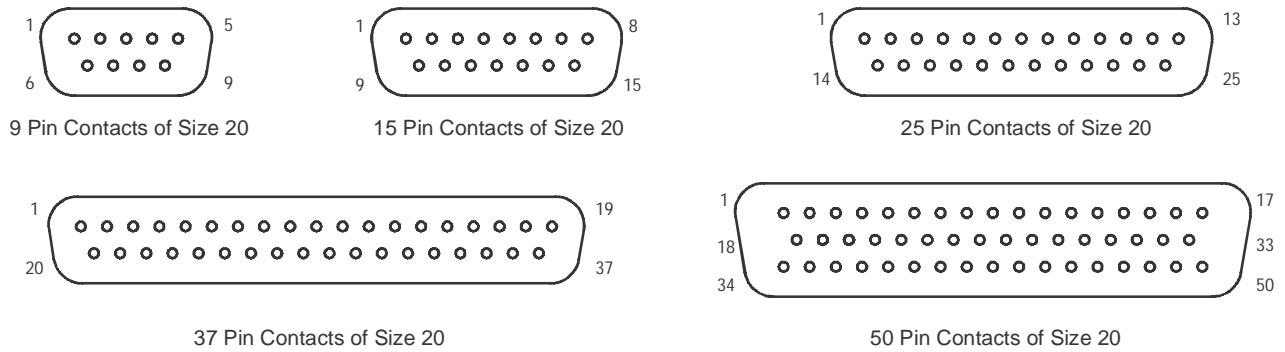
Electrical Data		
Current Rating	7.5 A	
Contact Resistance	55mV at 7.5 A	
Insulation Resistance	5000 MΩ min. (initial) ; 1000 MΩ min. (after env. Testing)	
Test Voltage (sea Level)	1250 VAC	
Mechanical		
Mating Life	500 mating cycles min.	
Operating Temp.	-55°C ~ +125°C	
Vibration	12 cycles in 3 directions @10-2000Hz	MIL-STD-202 Method 204, Condition D
Shock	50 g's	MIL-STD-202 Method 213, Condition G
Moisture Resistance	90-95% RH @40°C for 96 hours	MIL-STD-202 Method 103
Materials and Platings		
	Materials	Plating
Pin Contact	Copper Alloy	Au Plated > 50 micro-inch over copper or nickel
Receptacle Contact	Copper Alloy	Au Plated > 50 micro-inch over copper or nickel
Metal Shell	Steel	Yellow Chromate finish over cadmium plating
Insulator	Glass filled diallyl phthalate per MIL-M-14, Type SDG-4	
Dual Float Bushing	Stainless Steel, Passivated	
Insulated Wire	PTFE, per MIL-W-22579 White or Color Coded per MIL-STD-681	

D-Sub MIL24308 Insert Arrangements – Receptacles with Receptacle Contact

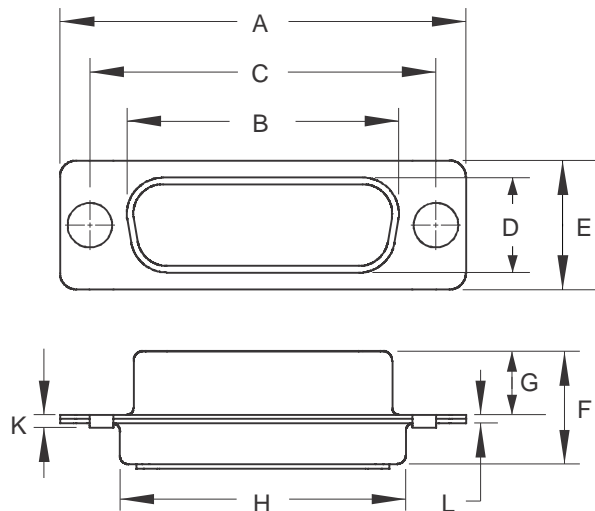


While the information contained herein in this catalog, has been carefully compiled to the best of our knowledge, nothing is intended as representation and warranty on our part; and no statement shall be construed as recommendation to infringe any of existing patents. We accept no liability of whatsoever for any faults and errors in the information contained herein. Contents of this catalogue and specifications of the products, are subject to change without notice due to continuous improvements.

D-Sub MIL24308 Insert Arrangements – Plugs with Pin Contact



Mechanical Details for MIL-24308 D-Sub Connectors Used



D-Sub MIL-24308 Shell Dimensions (Pin & Receptacle)

Shell Size	A ±.015	B ±.005	C ±.005	D ±.005	E ±.015	F ±.010	G ±.004	H ±.010	J ±.010	K ±.010	L ±.010
9 Pin 9 Receptacle	1.213	.666 .643	.984	.329 .311	.494	.422 .429	.234 .243	.759	.422	.045	.030
15 Pin 15 Receptacle	1.541	.994 .971	1.312	.329 .311	.494	.422 .429	.234 .243	1.083	.422	.045	.030
25 Pin 25 Receptacle	2.088	1.534 1.511	1.852	.329 .311	.494	.426 .429	.230 .243	1.625	.422	.060 .045	.039 .030
37 Pin 37 Receptacle	2.729	2.182 2.159	2.500	.329 .311	.494	.426 .429	.230 .243	2.272	.422	.060 .045	.039 .030
50 Pin 50 Receptacle	2.635	2.079 2.064	2.406	.441 .423	.605	.426 .429	.230 .243	2.178	.534	.060 .045	.039 .030

Units: Inch

Shown trademarks are property of their respective owners.

While the information contained herein in this catalog, has been carefully compiled to the best of our knowledge, nothing is intended as representation and warranty on our part; and no statement shall be construed as recommendation to infringe any of existing patents. We accept no liability of whatsoever for any faults and errors in the information contained herein. Contents of this catalogue and specifications of the products, are subject to change without notice due to continuous improvements.

Specifications for MIL Cable Harness (D38999-DSub)

Serial Number	Length Inches(cm)	Wires	Connector 1		Connector 2		Size	Cable Type	Cable Colour	AWG
1	18 (46)	9	D-Sub	Plug	MIL38999	Plug	B35	PTFE	White	24

Harness Construction

• Cable is QPL'ed as per MIL -22759
• D-Sub connectors are QPL'ed as per MIL-24308
• Connectors are QPL'ed as per MIL-38999 Series III and are of reputed make like Aero Inc, Glenair, Deutsch or Equivalent
• Connectors are of reputed make like Aero Inc, Glenair, Deutsch or Equivalent
• Harness have Strain Relief, QPL'ed as per MIL-85049/38
• Harness have Protection Caps, QPL'ed as per D38999/32
• Harness have Backshells, QPL'ed as per MIL-85049/20 or MIL-85049/88
• D-Sub side connector have Strain Relief as per MIL-85049/48
• All items are provided as a set
• Harness is 100% tested for Pin-Pin high-Voltage isolation and test report with leakage current submitted for each pin-pin test

Connector Specifications MIL-38999 Series III

Parameters	Specifications
Qualification	QPL as per MIL-DTL-38999 Series III
Shell Material	Aluminium Alloy
Shell Plating	Olive drab cadmium
Insulator	Thermoplastic or thermoset
Contacts	Copper Alloy
Contacts Plating	Gold over Nickel plated
Endurance	500 mating / unmating operations
Shock	300G for 3 ms in 3 axes
Vibration	Per MIL-38999
Temperature Range	-65 to +200°C
Insulation Resistance	>5000 MΩ (at 500Vdc)
Salt Spray	500 hours
Withstanding Voltage (sea level)	> 1800 V
Current	Size 22D: 5 A; Size 20: 7.5 A; Size 16: 13 A; Size 12: 23 A; Size 8: 46 A

Connector Specifications D-Sub

Qualification	QPL to MIL-24308
Operating Temp.	-55°C ~ +125°C
Vibration	12 cycles in 3 directions @10-2000Hz, MIL-STD-202 Method 204, Condition D
Shock	50 g's, MIL-STD-202 Method 213, Condition G
Moisture Resistance	90-95% RH @40°C for 96 hours, MIL-STD-202 Method 103
Pin Contact	Copper Alloy, Au Plated over copper or nickel
Receptacle Contact	Copper Alloy, Au Plated over copper or nickel
Metal Shell	Steel, Yellow Chromate finish over cadmium plating
Insulator	Glass filled diallyl phthalate per MIL-M-14, Type SDG-4
Current Rating	7.5 A
Contact Resistance	55mV at 7.5 A
Insulation Resistance	5000 MΩ min. (initial) ; 1000 MΩ min. (after env. Testing)
Test Voltage (sea Level)	1250 VAC
Mating Life	500 mating cycles min.

Cable Specifications (Cable is QPL'ed as per MIL -22759)

Cable Size	: AWG 26 (19 strands)
Conductor	: Silver Plated Copper (SPC)
Insulation	: ETFE
Temperature rating	: -65 / +150°C
Voltage	: 600VAC
Test voltage	: 3400VAC
Hardness	: 67 D, ASTM D2240
Radiation resistance	: 10 E5 Gy, IEC 60544
Tensile strength at break	: 45 Mpa, ASTM D638
Water absorption	: < 0.01%, ASTM D570
Volume resistivity	: 10 E16 ohms-cm, ASTM D257
Flammability	: UL 94V-O, 1.6mm
Acid, Fuels, Oils Resistance	: Excellent

Heat Shrink Tube Specifications

MIL Specs	: Conform to MIL-23053/4
Flame Retardent	: Yes
Type	: Dual Walled
Temperature Range	: -55 to +110°C