

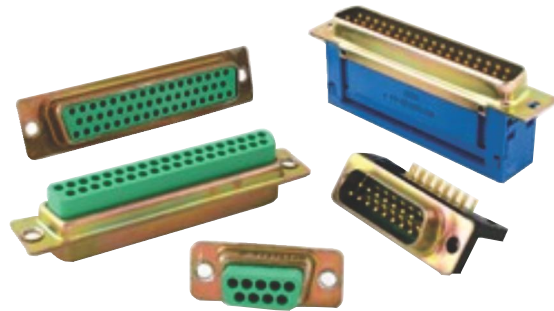
MIL-24308 D-Sub Connectors, QPL Listed

Source include Cinch, Tyco • MIL-24308 Qualified, QPL Listed • In-stock, small Qty like 5 pcs welcome

We stock and supply hi-quality MIL-24308 D-Sub connectors. We only supply QPL listed qualified MIL-24308 types. We source these from variety of sources like Cinch, Tyco amongst others.

FEATURES, MIL QPL

- MIL-24308 D-Sub connectors are QPL listed from suppliers like Cinch, Tyco
- MIL-39029 compliant contacts
- Common insert patterns in stock
- Plug, Receptacles, PC Tail Versions
- Steel Shell with Yellow Chromate Coating



ADVANTAGES OF MIL-24308 D-Sub Connectors from us:

- Many insert patterns & keying arrangements available from stock
- Free samples possible for projects
- Small quantities like 5 pieces welcome
- Available in cash purchase for small quantity

Specifications for MIL-24308 D-Sub Connectors

Electrical Data		
Current Rating	7.5 A	
Contact Resistance	55mV at 7.5 A	
Insulation Resistance	5000 MΩ min. (initial) ; 1000 MΩ min. (after env. Testing)	
Test Voltage (sea Level)	1250 VAC	
Mechanical		
Mating Life	500 mating cycles min.	
Operating Temp.	-55°C ~ +125°C	
Vibration	12 cycles in 3 directions @10-2000Hz	MIL-STD-202 Method 204, Condition D
Shock	50 g's	MIL-STD-202 Method 213, Condition G
Moisture Resistance	90-95% RH @40°C for 96 hours	MIL-STD-202 Method 103
Materials and Platings		
	Materials	Plating
Pin Contact	Copper Alloy	Au Plated > 50 micro-inch over copper or nickel
Socket Contact	Copper Alloy	Au Plated > 50 micro-inch over copper or nickel
Metal Shell	Steel	Yellow Chromate finish over cadmium plating
Insulator	Glass filled diallyl phthalate per MIL-M-14, Type SDG-4	
Dual Float Bushing	Stainless Steel, Passivated	
Insulated Wire	PTFE, per MIL-W-22579 White or Color Coded per MIL-STD-681	

Shown trademarks are property of their respective owners.

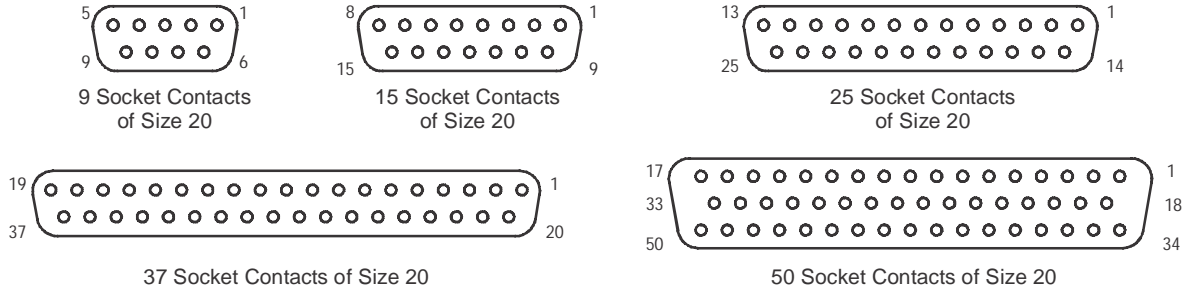
While the information contained herein in this catalog, has been carefully compiled to the best of our knowledge, nothing is intended as representation and warranty on our part; and no statement shall be construed as recommendation to infringe any of existing patents. We accept no liability of whatsoever for any faults and errors in the information contained herein. Contents of this catalogue and specifications of the products, are subject to change without notice due to continuous improvements.

MIL-24308 D-Sub Connectors, QPL Listed

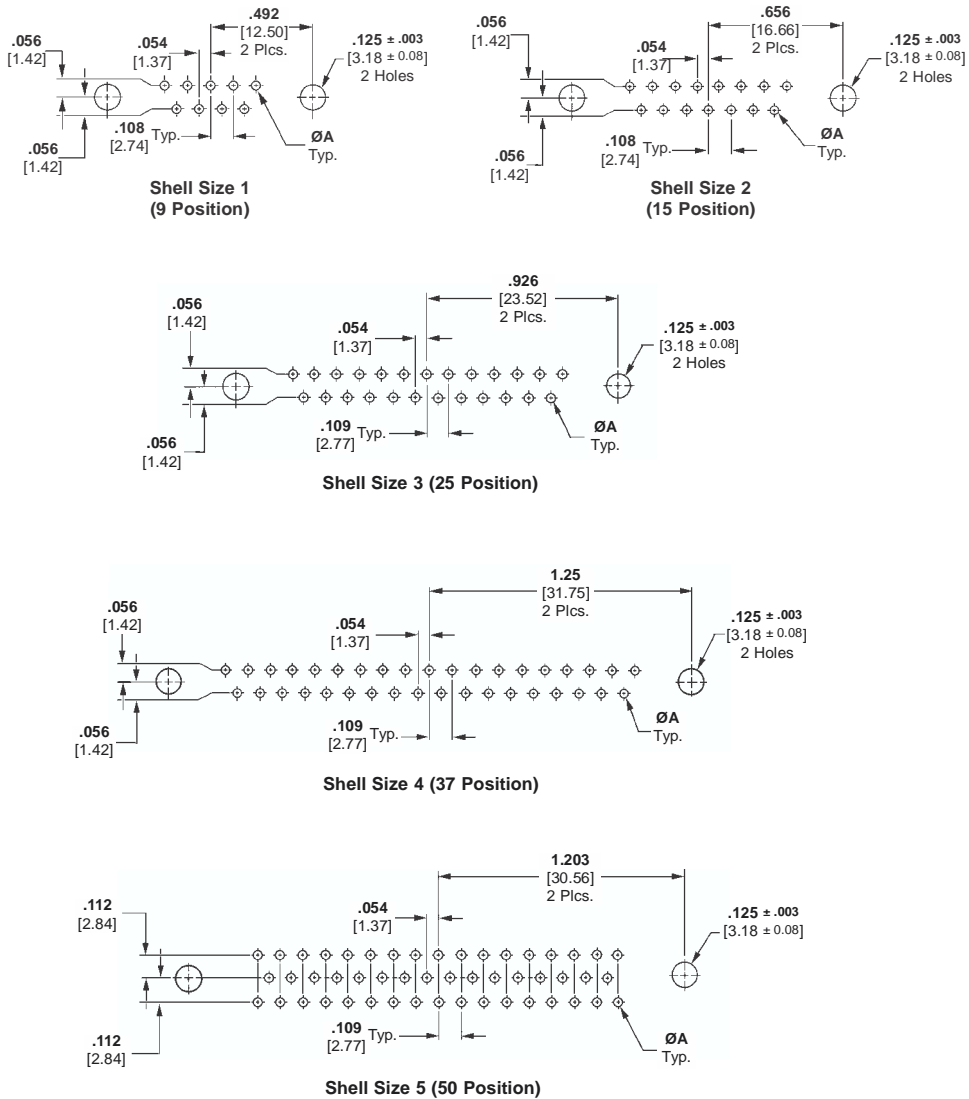
Source include Cinch, Tyco • MIL-24308 Qualified, QPL Listed • In-stock, small Qty like 5 pcs welcome



D-Sub MIL24308 Insert Arrangements



PCB Layouts for PC Tail Connectors (Standard Density)



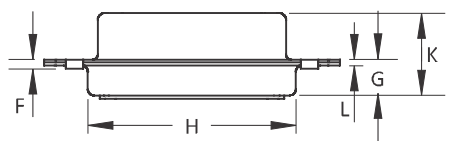
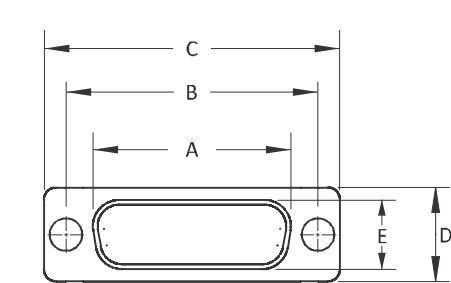
Shown trademarks are property of their respective owners.

While the information contained herein in this catalog, has been carefully compiled to the best of our knowledge, nothing is intended as representation and warranty on our part; and no statement shall be construed as recommendation to infringe any of existing patents. We accept no liability of whatsoever for any faults and errors in the information contained herein. Contents of this catalogue and specifications of the products, are subject to change without notice due to continuous improvements.

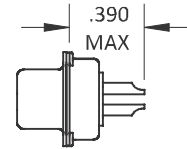
MIL-24308 D-Sub Connectors, QPL Listed

Source include Cinch, Tyco • MIL-24308 Qualified, QPL Listed • In-stock, small Qty like 5 pcs welcome

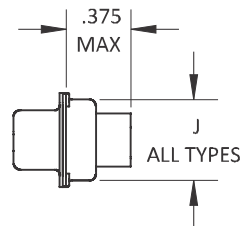
D-Sub Plugs & Receptacles, Solder and Crimp Types, MIL-24308 Qualified



Main Shell



Solder Type



Crimp Type

(Unit: Inch)

Type	A ±.005	B ±.005	C ±.015	D ±.015	E ±.005	F ±.010	G ±.004	H ±.010	J ±.010	K ±.010	L ±.010
9 Pin Plug 9 Pin Socket	.666 .643	.984	1.213	.494	.329 .311	.045	.234 .243	.759	.422	.422 .429	.030
15 Pin Plug 15 Pin Socket	.994 .971	1.312	1.541	.494	.329 .311	.045	.234 .243	1.083	.422	.422 .429	.030
25 Pin Plug 25 Pin Socket	1.534 1.511	1.852	2.088	.494	.329 .311	.060 .045	.230 .243	1.625	.422	.426 .429	.039 .030
37 Pin Plug 37 Pin Socket	2.182 2.159	2.500	2.729	.494	.329 .311	.060 .045	.230 .243	2.272	.422	.426 .429	.039 .030
50 Pin Plug 50 Pin Socket	2.079 2.064	2.406	2.635	.605	.441 .423	.060 .045	.230 .243	2.178	.534	.426 .429	.039 .030

MIL P/Ns - D-Sub Plugs, Crimp Types

No Of contacts	Termination	MIL P/N Mounting Holes	MIL P/N Float Bush	MIL P/N Dual Float Bush	Pin/ Socket	Shell Finish
9	Crimp	M24308/4-1F	M24308/4-302F	M24308/4-435F	Plug	chromate
15	Crimp	M24308/4-2F	M24308/4-303F	M24308/4-436F	Plug	chromate
25	Crimp	M24308/4-3F	M24308/4-304F	M24308/4-437F	Plug	chromate
37	Crimp	M24308/4-4F	M24308/4-305F	M24308/4-438F	Plug	chromate
50	Crimp	M24308/4-5F	M24308/4-306F	M24308/4-439F	Plug	chromate

Shown trademarks are property of their respective owners.

While the information contained herein in this catalog, has been carefully compiled to the best of our knowledge, nothing is intended as representation and warranty on our part; and no statement shall be construed as recommendation to infringe any of existing patents. We accept no liability of whatsoever for any faults and errors in the information contained herein. Contents of this catalogue and specifications of the products, are subject to change without notice due to continuous improvements.

D-Sub Plugs & Receptacles, Solder and Crimp Types, MIL-24308 Qualified

MIL P/Ns - D-Sub *Receptacles, Crimp* Types

No of Contacts	Termination	MIL P/N Mounting Holes	MIL P/N Float Bush	MIL P/N Dual Float Bush	Pin/Socket	Shell Finish
9	Crimp	M24308/2-1F	M24308/2-23F	M24308/2-342F	Socket	chromate
15	Crimp	M24308/2-2F	M24308/2-24F	M24308/2-343F	Socket	chromate
25	Crimp	M24308/2-3F	M24308/2-25F	M24308/2-344F	Socket	chromate
37	Crimp	M24308/2-4F	M24308/2-26F	M24308/2-345F	Socket	chromate
50	Crimp	M24308/2-5F	M24308/2-27F	M24308/2-346F	Socket	chromate

MIL P/Ns - D-Sub *Plugs, Solder* Types

No of Contacts	Termination	MIL P/N Mounting Holes	MIL P/N Float Bush	MIL P/N Dual Float Bush	Pin/Socket	Shell Finish
9	solder	M24308/3-1F	M24308/3-12F	M24308/3-17F	Plug	chromate
15	solder	M24308/3-2F	M24308/3-13F	M24308/3-18F	Plug	chromate
25	solder	M24308/3-3F	M24308/3-14F	M24308/3-19F	Plug	chromate
37	solder	M24308/3-4F	M24308/3-15F	M24308/3-20F	Plug	chromate
50	solder	M24308/3-5F	M24308/3-16F	M24308/3-21F	Plug	chromate

MIL P/Ns - D-Sub *Receptacles, Solder* Types

No of Contacts	Termination	MIL P/N Mounting Holes	MIL P/N Float Bush	MIL P/N Dual Float Bush	Pin/Socket	Shell Finish
9	solder	M24308/1-1F	M24308/1-12F	M24308/1-23F	Socket	chromate
15	solder	M24308/1-2F	M24308/1-13F	M24308/1-24F	Socket	chromate
25	solder	M24308/1-3F	M24308/1-14F	M24308/1-25F	Socket	chromate
37	solder	M24308/1-4F	M24308/1-15F	M24308/1-26F	Socket	chromate
50	solder	M24308/1-5F	M24308/1-16F	M24308/1-27F	Socket	chromate

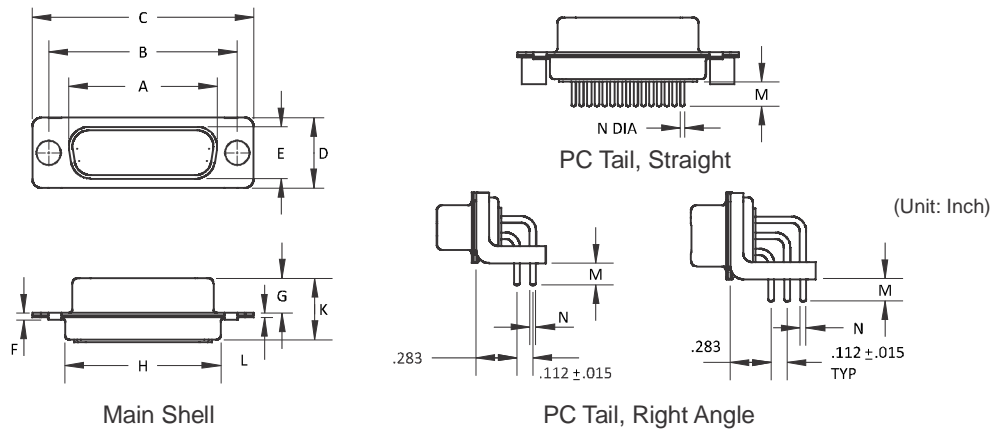
Shown trademarks are property of their respective owners.

While the information contained herein in this catalog, has been carefully compiled to the best of our knowledge, nothing is intended as representation and warranty on our part; and no statement shall be construed as recommendation to infringe any of existing patents. We accept no liability of whatsoever for any faults and errors in the information contained herein. Contents of this catalogue and specifications of the products, are subject to change without notice due to continuous improvements.

MIL-24308 D-Sub Connectors, QPL Listed

Source include Cinch, Tyco • MIL-24308 Qualified, QPL Listed • In-stock, small Qty like 5 pcs welcome

D-Sub Plugs & Receptacles, PC Tails, Straight and Right Angles



Type	A ±.005	B ±.005	C ±.015	D ±.015	E ±.005	F ±.010	G ±.004	H ±.010	J ±.010	K ±.010	L ±.010
9 Pin Plug 9 Pin Socket	.666 .643	.984	1.213	.494	.329 .311	.045	.234 .243	.759	.422	.422 .429	.030
15 Pin Plug 15 Pin Socket	.994 .971	1.312	1.541	.494	.329 .311	.045	.234 .243	1.083	.422	.422 .429	.030
25 Pin Plug 25 Pin Socket	1.534 1.511	1.852	2.088	.494	.329 .311	.060 .045	.230 .243	1.625	.422	.426 .429	.039 .030
37 Pin Plug 37 Pin Socket	2.182 2.159	2.500	2.729	.494	.329 .311	.060 .045	.230 .243	2.272	.422	.426 .429	.039 .030
50 Pin Plug 50 Pin Socket	2.079 2.064	2.406	2.635	.605	.441 .423	.060 .045	.230 .243	2.178	.534	.426 .429	.039 .030

PC Tail Receptacles, Straight

Shell Size	No. of Contacts	Terminal Dia (N)	Terminal Length(M)	Military Part No. ±.020 [± 0.51]
1	9	.030 0.76	.156 3.96	M24308/23-1F
2	15	.030 0.76	.156 3.96	M24308/23-2F
3	25	.030 0.76	.156 3.96	M24308/23-3F
4	37	.030 0.76	.156 3.96	M24308/23-4F
5	50	.030 0.76	.156 3.96	M24308/23-5F
1	9	.030 0.76	.188 4.78	M24308/23-7F
2	15	.030 0.76	.188 4.78	M24308/23-8F
3	25	.030 0.76	.188 4.78	M24308/23-9F
4	37	.030 0.76	.188 4.78	M24308/23-10F
5	50	.030 0.76	.188 4.78	M24308/23-11F
1	9	.040 1.02	.156 3.96	M24308/23-13F
2	15	.040 1.02	.156 3.96	M24308/23-14F
3	25	.040 1.02	.156 3.96	M24308/23-15F
4	37	.040 1.02	.156 3.96	M24308/23-16F
5	50	.040 1.02	.156 3.96	M24308/23-17F
1	9	.040 1.02	.188 4.78	M24308/23-19F
2	15	.040 1.02	.188 4.78	M24308/23-20F
3	25	.040 1.02	.188 4.78	M24308/23-21F
4	37	.040 1.02	.188 4.78	M24308/23-22F
5	50	.040 1.02	.188 4.78	M24308/23-23F

PC Tail Plugs, Straight

Shell Size	No. of Contacts	Terminal Dia (N)	Terminal Length(M)	Military Part No. ±.020 [± 0.51]
1	9	.030 0.76	.156 3.96	M24308/24-1F
2	15	.030 0.76	.156 3.96	M24308/24-2F
3	25	.030 0.76	.156 3.96	M24308/24-3F
4	37	.030 0.76	.156 3.96	M24308/24-4F
5	50	.030 0.76	.156 3.96	M24308/24-5F
1	9	.030 0.76	.188 4.78	M24308/24-7F
2	15	.030 0.76	.188 4.78	M24308/24-8F
3	25	.030 0.76	.188 4.78	M24308/24-9F
4	37	.030 0.76	.188 4.78	M24308/24-10F
5	50	.030 0.76	.188 4.78	M24308/24-11F
1	9	.040 1.02	.156 3.96	M24308/24-13F
2	15	.040 1.02	.156 3.96	M24308/24-14F
3	25	.040 1.02	.156 3.96	M24308/24-15F
4	37	.040 1.02	.156 3.96	M24308/24-16F
5	50	.040 1.02	.156 3.96	M24308/24-17F
1	9	.040 1.02	.188 4.78	M24308/24-19F
2	15	.040 1.02	.188 4.78	M24308/24-20F
3	25	.040 1.02	.188 4.78	M24308/24-21F
4	37	.040 1.02	.188 4.78	M24308/24-22F
5	50	.040 1.02	.188 4.78	M24308/24-23F

Units: inch
mm

While the information contained herein in this catalog, has been carefully compiled to the best of our knowledge, nothing is intended as representation and warranty on our part; and no statement shall be construed as recommendation to infringe any of existing patents. We accept no liability of whatsoever for any faults and errors in the information contained herein. Contents of this catalogue and specifications of the products, are subject to change without notice due to continuous improvements.

MIL-24308 D-Sub Connectors, QPL Listed



Source include Cinch, Tyco • MIL-24308 Qualified, QPL Listed • In-stock, small Qty like 5 pcs welcome

D-Sub Plugs & Receptacles, PC Tails, Straight and Right Angles

PC Tail *Plugs, Right Angle* (.030 [0.76] Terminal Dia.)

Shell Size	No. of Contacts	Terminal Length. (M)	Military Part No. ±020 [±0.51]
1	9	.125 3.18	M24308/24-25F
2	15	.125 3.18	M24308/24-26F
3	25	.125 3.18	M24308/24-27F
4	37	.125 3.18	M24308/24-28F
5	50	.125 3.18	M24308/24-29F
1	9	.156 3.96	M24308/24-31F
2	15	.156 3.96	M24308/24-32F
3	25	.156 3.96	M24308/24-33F
4	37	.156 3.96	M24308/24-34F
5	50	.156 3.96	M24308/24-35F
1	9	.188 4.78	M24308/24-49F
2	15	.188 4.78	M24308/24-50F
3	25	.188 4.78	M24308/24-51F
4	37	.188 4.78	M24308/24-52F
5	50	.188 4.78	M24308/24-53F

PC Tail *Plugs, Right Angle* (.040 [1.02] Terminal Dia.)

Shell Size	No. of Contacts	Terminal Length. (M)	Military Part No. ±020 [±0.51]
1	9	.125 3.18	M24308/24-37F
2	15	.125 3.18	M24308/24-38F
3	25	.125 3.18	M24308/24-39F
4	37	.125 3.18	M24308/24-40F
5	50	.125 3.18	M24308/24-41F
1	9	.156 3.96	M24308/24-43F
2	15	.156 3.96	M24308/24-44F
3	25	.156 3.96	M24308/24-45F
4	37	.156 3.96	M24308/24-46F
5	50	.156 3.96	M24308/24-47F
1	9	.188 4.78	M24308/24-55F
2	15	.188 4.78	M24308/24-56F
3	25	.188 4.78	M24308/24-57F
4	37	.188 4.78	M24308/24-58F
5	50	.188 4.78	M24308/24-59F

PC Tail *Receptacles, Right Angle* (.030 [0.76] Post Dia.)

Shell Size	No. of Contacts	Terminal Length. (M)	Military Part No. ±020 [±0.51]
1	9	.125 3.18	M24308/23-25F
2	15	.125 3.18	M24308/23-26F
3	25	.125 3.18	M24308/23-27F
4	37	.125 3.18	M24308/23-28F
5	50	.125 3.18	M24308/23-29F
1	9	.156 3.96	M24308/23-31F
2	15	.156 3.96	M24308/23-32F
3	25	.156 3.96	M24308/23-33F
4	37	.156 3.96	M24308/23-34F
5	50	.156 3.96	M24308/23-35F
1	9	.188 4.78	M24308/23-49F
2	15	.188 4.78	M24308/23-50F
3	25	.188 4.78	M24308/23-51F
4	37	.188 4.78	M24308/23-52F
5	50	.188 4.78	M24308/23-53F

PC Tail *Receptacles, Right Angle* (.040 [1.02] Post Dia.)

Shell Size	No. of Contacts	Terminal Length. (M)	Military Part No. ±020 [±0.51]
1	9	.125 3.18	M24308/23-37F
2	15	.125 3.18	M24308/23-38F
3	25	.125 3.18	M24308/23-39F
4	37	.125 3.18	M24308/23-40F
5	50	.125 3.18	M24308/23-41F
1	9	.156 3.96	M24308/23-43F
2	15	.156 3.96	M24308/23-44F
3	25	.156 3.96	M24308/23-45F
4	37	.156 3.96	M24308/23-46F
5	50	.156 3.96	M24308/23-47F
1	9	.188 4.78	M24308/23-55F
2	15	.188 4.78	M24308/23-56F
3	25	.188 4.78	M24308/23-57F
4	37	.188 4.78	M24308/23-58F
5	50	.188 4.78	M24308/23-59F

Shown trademarks are property of their respective owners.

While the information contained herein in this catalog, has been carefully compiled to the best of our knowledge, nothing is intended as representation and warranty on our part; and no statement shall be construed as recommendation to infringe any of existing patents. We accept no liability of whatsoever for any faults and errors in the information contained herein. Contents of this catalogue and specifications of the products, are subject to change without notice due to continuous improvements.