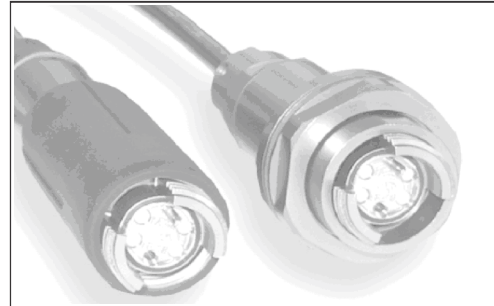


# Expanded Beam Tactical Fiber Optic Cable Sets - No FIELD CLEANING

These Expanded Beam Tactical Fiber Optic cable sets are for HARSH military applications, esp. for quick field deployment & retrieval due to reduced size/weight. Expanded Beam connectors are far more rugged for field applications and pose no cleaning problems as compared to physical contact connectors like MIL38999 or TFOCAII. Based on MIL-C-85045 conformant tactical cable which is extremely strong, lightweight, & rugged. Available in deployable reels.



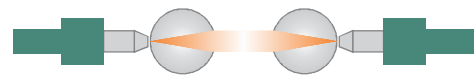
Expanded Beam Connectors



- MIL-C-85045 Conformant , Optical Cable Corp., USA or equivalent Fiber Optic cable
- Imported Expanded Beam connectors

## EXPANDED BEAM ADVANTAGES

- Hermaphroditic Genderless mating
- Easy to clean in the field.
- Easy to align (repeatable performance)
- Non contact design - highly resistant to dirt as fiber is inside ball lenses
- Vibration resistant

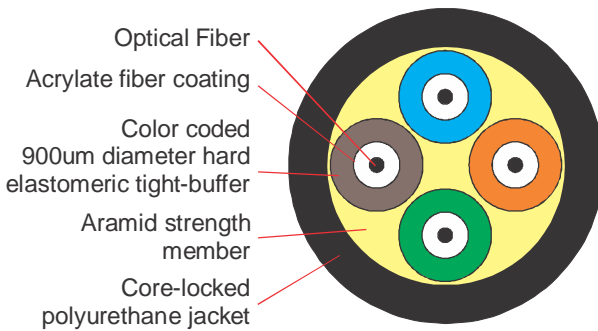


Expanded Beam Principle of Operation

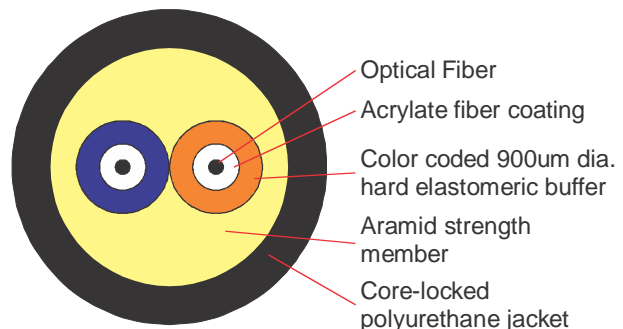
## HARSH ENVIRONMENT APPLICATIONS

- Radars, Military Systems, Ground Control Systems, Launchers etc  
Excellent for deployment/retrieval applications like tactical communications
- Designed for extreme environmental conditions – temperature, humidity, ice, fungus and fluid immersion
- Rugged fiber optic cable with high tensile load for high survivability in severe crush, impact, vehicle rollover, deployment and retrieval conditions
- Extremely strong, lightweight, rugged, survivable cable design for military use

## Tactical Cable Construction



4 Fiber Tactical Cable



2 Fiber Tactical Cable

Specifications are subject to change without notice

Shown trademarks are property of their respective owners.

While the information contained herein in this catalog, has been carefully compiled to the best of our knowledge, nothing is intended as representation and warranty on our part; and no statement shall be construed as recommendation to infringe any of existing patents. We accept no liability of whatsoever for any faults and errors in the information contained herein. Contents of this catalogue and specifications of the products, are subject to change without notice due to continuous improvements.

### Specifications for Military Tactical Cables

No of Fiber	Mode	Core/Cladding (um)	Cable Dia. mm	Weight kg/km	Tensile Load Max (N)		Bend Radius Min (cm)		Attenuation Min (dB/Km)		
					Install.	Oper.	Install	Oper.	850nm	1300nm	1550nm
2	Single	9/125	5	23	1800	600	8	4	-	0.5	0.5
4	Single	9/125	5.5	28	1800	600	8.8	4.4	-	0.5	0.5
2	Multi	62.5/125	5	23	1800	600	8	4	3.5	1.5	-
4	Multi	62.5/125	5.5	28	1800	600	8.8	4.4	3.5	1.5	-

### Environmental Specifications for Military Tactical Cables

Storage Temperature Range	-70 to +85°C
Operating Temperature Range	-55 to +85°C
Crush Resistance (MIL-85045/EIA-455-41)	440 N/cm
Impact Resistance (MIL-85045/EIA-455-25)	200 Impacts
Cyclic Flexing (MIL-85045/EIA-455-104)	2000 cycles, min.
Knot Force (MIL-85045/EIA-455-87)	500 N test force
Thermal Shock (MIL-85045/EIA-455-71)	-57 to +85°C
Temperature/Humidity (MIL-85045/EIA-455-5)	95%

### How to Specify Part Numbers for Cable Sets:

STF -X - **AAA** **BC** / **AAA** **BC** - **N** **XX** / **YYY** **ZZ** **KKK** - **00**

<b>A</b>	3 digit connector Code	Singlemode Expanded Beam : 130 = 2 channel; 133 = 4 channel; 50/125 Expanded Beam : 147 = 2 channel; 149 = 4 channel; 62.5/125 Expanded Beam : 139 = 2 channel; 142 = 4 channel;
<b>B</b>	Connector Type	Straight = S ; Rt. Angle= R ; Jamnut Recep. = J ; Wall Mount = W
<b>C</b>	Connector Style	Male/Plug = P ; Female = J
<b>N</b>	No. of Fibers	2 = 2 fibers; 4 = 4 fiber
<b>XX</b>	2 digit code for Mode	9S = 9/125um singlemode ; 5M = 50/125um multimode; 6M = 62.5/125um multimode ; CM = 50/125 & 62.5/125 multimode
<b>YYY</b>	Length	100 meter = 100M ; 1 Km = 1KM ; 1 feet = 1F
<b>ZZ</b>	2 digit cable code	DI = Distribution Style ; BR = Breakout
<b>KKK</b>	Cable class code	Breakout = 023; Distribution = 065

100m Cable Set SM 9/125um, Expanded Beam Plug, 4 fiber = STF -X-130SP/130SP-4F/9SM/100M-Di065-00

Shown trademarks are property of their respective owners.

While the information contained herein in this catalog, has been carefully compiled to the best of our knowledge, nothing is intended as representation and warranty on our part; and no statement shall be construed as recommendation to infringe any of existing patents. We accept no liability of whatsoever for any faults and errors in the information contained herein. Contents of this catalogue and specifications of the products, are subject to change without notice due to continuous improvements.

# Expanded Beam Tactical Fiber Optic Cable Sets - No FIELD CLEANING

## Fiber Optic Cable Sets with Expanded Beam connectors

P/N for Fiber Optic Assembly	Cable Drum	Mode	No. of Fibers	Conn. 1	Conn. 2	Len. meter
STF-X-130SP/130SP-2F/9SM/100M-DI065-00	Fig 1	SM 9/125	2	Plug	Plug	100
STF-X-133SP/133SP-4F/9SM/100M-DI065-00	Fig 1	SM 9/125	4	Plug	Plug	100
STF-X-130SP/130SP-2F/9SM/200M-DI065-00	Fig 1	SM 9/125	2	Plug	Plug	200
STF-X-133SP/133SP-4F/9SM/200M-DI065-00	Fig 1	SM 9/125	4	Plug	Plug	200
STF-X-130SP/130SP-2F/9SM/500M-DI065-00	Fig 2	SM 9/125	2	Plug	Plug	500
STF-X-133SP/133SP-4F/9SM/500M-DI065-00	Fig 2	SM 9/125	4	Plug	Plug	500
STF-X-130SP/130SP-2F/9SM/600M-DI065-00	Fig 2	SM 9/125	2	Plug	Plug	600
STF-X-133SP/133SP-4F/9SM/600M-DI065-00	Fig 2	SM 9/125	4	Plug	Plug	600
STF-X-130SP/130SP-2F/9SM/1KM-DI065-00	Fig 2	SM 9/125	2	Plug	Plug	1KM
STF-X-133SP/133SP-4F/9SM/1K M-DI065-00	Fig 2	SM 9/125	4	Plug	Plug	1KM
STF-X-130SP/130SP-2F/9SM/2KM-DI065-00	Fig 2	SM 9/125	2	Plug	Plug	2KM
STF-X-133SP/133SP-4F/9SM/2K M-DI065-00	Fig 2	SM 9/125	4	Plug	Plug	2KM
STF-X-139SP/139SP-2F/6MM/100M-DI065-00	Fig 1	MM 62.5/125	2	Plug	Plug	100
STF-X-142SP/142SP-4F/6MM/100M-DI065-00	Fig 1	MM 62.5/125	4	Plug	Plug	100
STF-X-139SP/139SP-2F/6MM/200M-DI065-00	Fig 1	MM 62.5/125	2	Plug	Plug	200
STF-X-142SP/142SP-4F/6MM/200M-DI065-00	Fig 1	MM 62.5/125	4	Plug	Plug	200
STF-X-139SP/139SP-2F/6MM/500M-DI065-00	Fig 2	MM 62.5/125	2	Plug	Plug	500
STF-X-142SP/142SP-4F/6MM/500M-DI065-00	Fig 2	MM 62.5/125	4	Plug	Plug	500
STF-X-139SP/139SP-2F/6MM/600M-DI065-00	Fig 2	MM 62.5/125	2	Plug	Plug	600
STF-X-142SP/142SP-4F/6MM/600M-DI065-00	Fig 2	MM 62.5/125	4	Plug	Plug	600

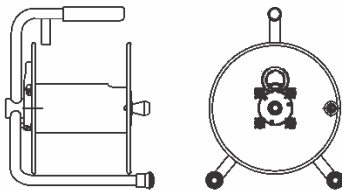
To order Cable Sets with deployable reel please add suffix -R to the end of Part Number.

Example P/N WITH Reel: STF-X-130SP/130SP-4F/9SM/1KM-DI065-00-R

Example P/N WITHOUT Reel: STF-X-130SP/130SP-4F/9SM/1KM-DI065-00



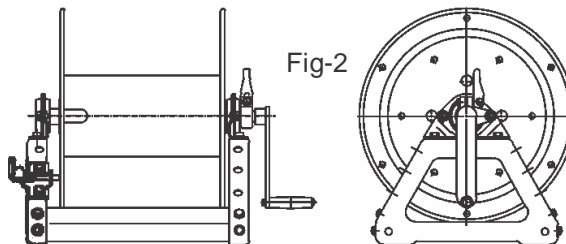
Fig-1



- Dim (W x H x D) : 15.5 x 19 x 12.7 inch
- Weight : 10 Kg (reel only, does not include cable weight)



Fig-2

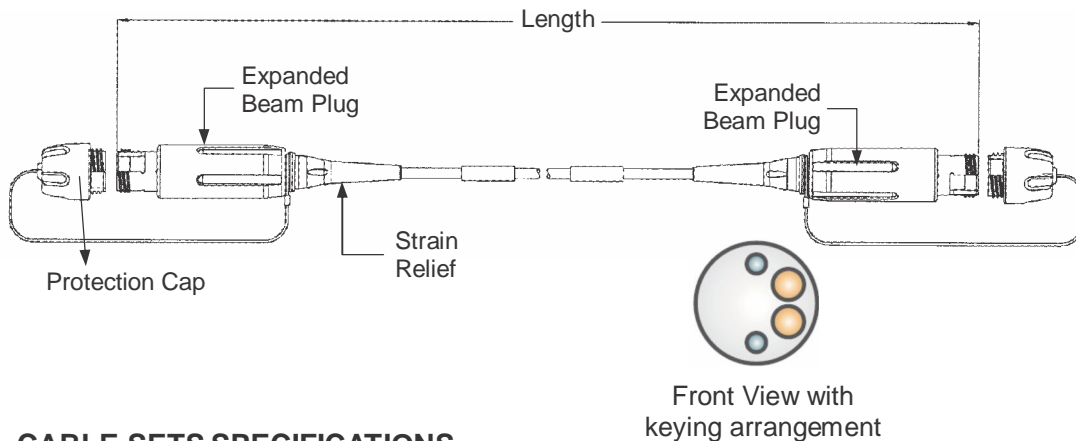


- Dim (WxHxD) : 16.5x18.1x32 inch
- Weight : < 18 Kg (Reel only, does not include cable weight)

Shown trademarks are property of their respective owners.

While the information contained herein in this catalog, has been carefully compiled to the best of our knowledge, nothing is intended as representation and warranty on our part; and no statement shall be construed as recommendation to infringe any of existing patents. We accept no liability of whatsoever for any faults and errors in the information contained herein. Contents of this catalogue and specifications of the products, are subject to change without notice due to continuous improvements.

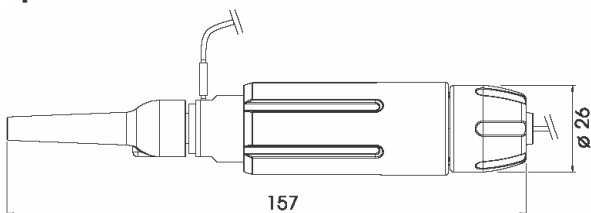
### Tactical Fiber Optic Cable Sets with Expanded Beam Connectors



#### CABLE SETS SPECIFICATIONS

- No. of Fibers : 2 or 4 as per selection
- Mode : Multimode 62.5/125um or Singlemode 9/125um as per selection
- Wavelength : 850 or 1300nm for MM / 1310nm for SM as per selection
- Length of Cable : As per choice
- Cable Loss : Typ. 1.5 dB/Km (1300nm) for MM ; 0.6 dB/Km (1310nm) for SM
- Connector A : 2 or 4 channel Expanded Beam Plug
- Connector B : 2 or 4 channel Expanded Beam Plug
- Connectors Loss : < 1.5 dB (both for single and multimode)

#### Expanded Beam Connector Details

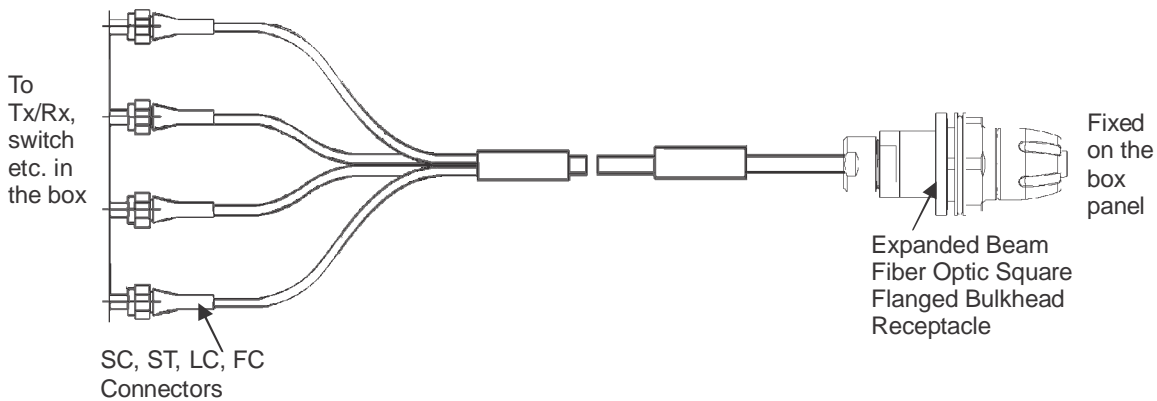


Operating temperature	-40 to +70°C
Storage temperature	-55 to +85°C
Water immersion	up to 2M depth
Vibration Sinusoidal	10-500Hz, 0.75 amplitude @ 10g acceleration
Free fall resistance	500 falls onto concrete from 1.2M height
Bump resistance	4000 bumps @ 40g acceleration
Tensile Strength	Tensile of 1500N, cable dependent

Shown trademarks are property of their respective owners.

While the information contained herein in this catalog, has been carefully compiled to the best of our knowledge, nothing is intended as representation and warranty on our part; and no statement shall be construed as recommendation to infringe any of existing patents. We accept no liability of whatsoever for any faults and errors in the information contained herein. Contents of this catalogue and specifications of the products, are subject to change without notice due to continuous improvements.

# Expanded Beam Receptacle – FC/ST/SC/LC FO Cable Sets for In-Box Applications



These Expanded Beam Receptacle to SC/ST/LC/FC cable sets are designed for military applications 'inside-box'. The SC/ST/LC/FC side mates to the transceiver (or other equipment) inside the box. The expanded beam receptacle side is mounted on the box and is eventually mated with outside environment plug. We provide custom cable lengths, number of fibres, connectors as per choice like SC, ST, LC, FC, MT-RJ

## FEATURES

- Number of Fiber Channels as per choice – 1, 2, 4
- Various combinations of MT-RJ, ST, FC, SC, LC to Expanded Beam Receptacle
- Custom cable type & lengths possible
- Singlemode 9/125um, Multimode 50/125um and 62.5/125um can be chosen

## APPLICATIONS

- Enclosures in Radars, Military Systems, Ground Control Systems, Launchers etc
- Applications where equipment inside enclosures has to be connected to outside env.
- **Imported Expanded Beam** Receptacles
- Imported OFNR/OFNP Grade FO cable
- Imported Hi-End FC/ST/SC/LC connectors

## How to Specify Part Numbers for Cable Sets:

STF-X - **A A A B C** / **A A A B C** - **N** **XX** / **YYY** **ZZ** **KKK** - 00

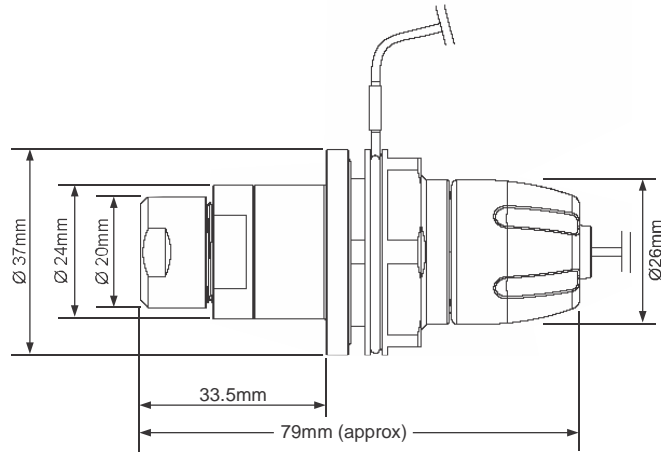
<b>A</b>	Connector Code	09 = ST SM; 11 = ST MM 50/125; 13 = ST MM 62.5/125 15 = SC SM; 17 = SC MM 50/125; 19 = SC MM 62.5/125 21 = LC SM; 23 = ST LC 50/125; 25 = LC MM 62.5/125 27 = FC SM; 29 = FC MM 50/125; 31 = FC MM 62.5/125 9/125 X-Beam Jamnut Receptacle: 150 = 2 channel; 153 = 4 channel 62.5/125 X-Beam Jamnut Receptacle: 159 = 2 channel; 162 = 4 channel 50/125 X-Beam Jamnut Receptacle: 171 = 2 channel; 174 = 4 channel
<b>B</b>	Connector Type	Straight = S ; Right Angle= R ; Jamnut Receptacle = J ; Wall Mount Receptacle = W; Square Flange Bulkhead Receptacle = B
<b>C</b>	Connector Style	Male/Plug = P ; Female = J
<b>N</b>	No. of Fibers in cable	1 = 1 fiber ; 2 = 2 fiber; 4 = 4 fiber
<b>XX</b>	2 digit code for Mode	9S = 9/125um singlemode ; 5M = 50/125um multimode; 6M = 62.5/125um multimode ; CM = 50/125 & 62.5/125 multimode
<b>YYY</b>	Length (meter/Km)	100 meter = 100M ; 1 Km = 1KM ; 1 feet = 1F
<b>ZZ</b>	2 digit cable code	DI = Distribution Style ; BR = Breakout; RI = Riser
<b>KKK</b>	Cable class code	Breakout = 023; Distribution = 065; Riser = 120

1m Cable Set 9/125um, ST Plug ~ X-Beam Receptacle, 2 Fiber = STF-X-09SP/150SP-2F/9SM/1M-DI065-00

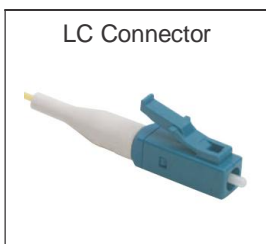
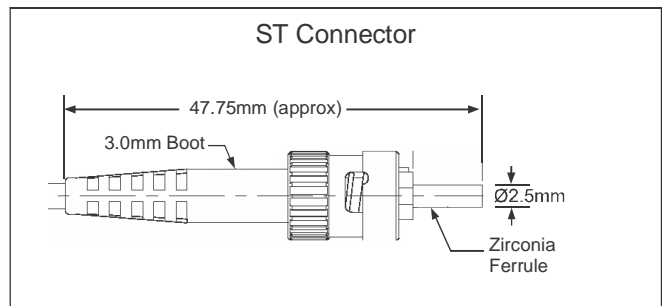
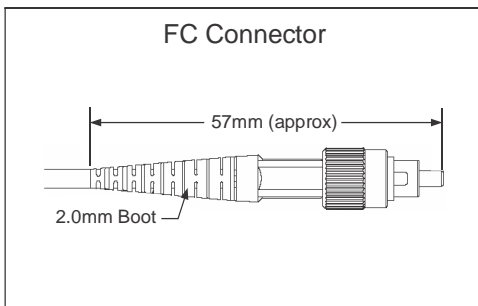
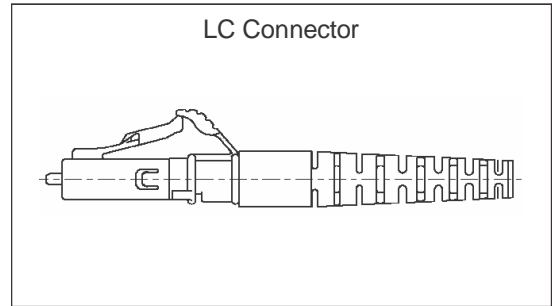
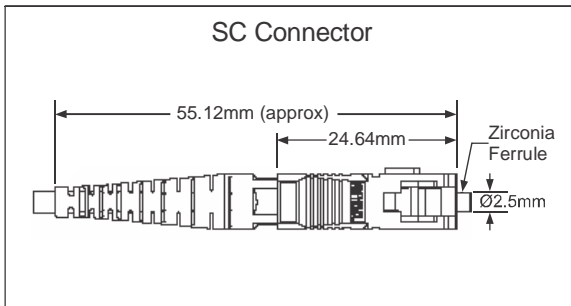
Shown trademarks are property of their respective owners.

While the information contained herein in this catalog, has been carefully compiled to the best of our knowledge, nothing is intended as representation and warranty on our part; and no statement shall be construed as recommendation to infringe any of existing patents. We accept no liability of whatsoever for any faults and errors in the information contained herein. Contents of this catalogue and specifications of the products, are subject to change without notice due to continuous improvements.

Connectors for Expanded Beam Receptacle – SC/ST/LC/FC Cable Sets



Expanded Beam Fiber Optic Bulkhead Receptacle



Shown trademarks are property of their respective owners.

While the information contained herein in this catalog, has been carefully compiled to the best of our knowledge, nothing is intended as representation and warranty on our part; and no statement shall be construed as recommendation to infringe any of existing patents. We accept no liability of whatsoever for any faults and errors in the information contained herein. Contents of this catalogue and specifications of the products, are subject to change without notice due to continuous improvements.



## Expanded Beam Receptacle – FC/ST/SC/LC FO Cable Sets for In-Box Applications

### Expanded Beam Square Flange Bulkhead Receptacle – SC Fiber Optic Cable Sets

P/N for Fiber Optic Assembly	Mode	Size	No. of Fibers	Conn. 1	Conn. 2 (X-Beam)	Len. Met.
STF-X-15SP/215BJ-2F/9SM/1M-DI065-00	Single	9/125	2	2xSC(M)	Sq. Fl. Bulkhead	1
STF-X-15SP/218BJ-4F/9SM/1M- DI065-00	Single	9/125	4	4xSC(M)	Sq. Fl. Bulkhead	1
STF-X-15SP/215BJ-2F/9SM/2M-DI065-00	Single	9/125	2	2xSC(M)	Sq. Fl. Bulkhead	2
STF-X-15SP/218BJ-4F/9SM/2M- DI065-00	Single	9/125	4	4xSC(M)	Sq. Fl. Bulkhead	2
STF-X-15SP/215BJ-2F/9SM/3M-DI065-00	Single	9/125	2	2xSC(M)	Sq. Fl. Bulkhead	3
STF-X-15SP/218BJ-4F/9SM/3M- DI065-00	Single	9/125	4	4xSC(M)	Sq. Fl. Bulkhead	3
STF-X-15SP/215BJ-2F/9SM/5M-DI065-00	Single	9/125	2	2xSC(M)	Sq. Fl. Bulkhead	5
STF-X-15SP/218BJ-4F/9SM/5M- DI065-00	Single	9/125	4	4xSC(M)	Sq. Fl. Bulkhead	5
STF-X-15SP/215BJ-2F/9SM/10M-DI065-00	Single	9/125	2	2xSC(M)	Sq. Fl. Bulkhead	10
STF-X-15SP/218BJ-4F/9SM/10M- DI065-00	Single	9/125	4	4xSC(M)	Sq. Fl. Bulkhead	10
STF-X-17SP/235BJ-2F/5MM/1M-DI065-00	Multi	50/125	2	2xSC(M)	Sq. Fl. Bulkhead	1
STF-X-17SP/238BJ-4F/5MM/1M-DI065-00	Multi	50/125	4	4xSC(M)	Sq. Fl. Bulkhead	1
STF-X-17SP/235BJ-2F/5MM/2M-DI065-00	Multi	50/125	2	2xSC(M)	Sq. Fl. Bulkhead	2
STF-X-17SP/238BJ-4F/5MM/2M-DI065-00	Multi	50/125	4	4xSC(M)	Sq. Fl. Bulkhead	2
STF-X-17SP/235BJ-2F/5MM/3M-DI065-00	Multi	50/125	2	2xSC(M)	Sq. Fl. Bulkhead	3
STF-X-17SP/238BJ-4F/5MM/3M-DI065-00	Multi	50/125	4	4xSC(M)	Sq. Fl. Bulkhead	3
STF-X-17SP/235BJ-2F/5MM/5M-DI065-00	Multi	50/125	2	2xSC(M)	Sq. Fl. Bulkhead	5
STF-X-17SP/238BJ-4F/5MM/5M-DI065-00	Multi	50/125	4	4xSC(M)	Sq. Fl. Bulkhead	5
STF-X-17SP/235BJ-2F/5MM/10M-DI065-00	Multi	50/125	2	2xSC(M)	Sq. Fl. Bulkhead	10
STF-X-17SP/238BJ-4F/5MM/10M-DI065-00	Multi	50/125	4	4xSC(M)	Sq. Fl. Bulkhead	10
STF-X-19SP/225BJ-2F/6MM/1M-DI065-00	Multi	62.5/125	2	2xSC(M)	Sq. Fl. Bulkhead	1
STF-X-19SP/228BJ-4F/6MM/1M-DI065-00	Multi	62.5/125	4	4xSC(M)	Sq. Fl. Bulkhead	1
STF-X-19SP/225BJ-2F/6MM/2M-DI065-00	Multi	62.5/125	2	2xSC(M)	Sq. Fl. Bulkhead	2
STF-X-19SP/228BJ-4F/6MM/2M-DI065-00	Multi	62.5/125	4	4xSC(M)	Sq. Fl. Bulkhead	2
STF-X-19SP/225BJ-2F/6MM/3M-DI065-00	Multi	62.5/125	2	2xSC(M)	Sq. Fl. Bulkhead	3
STF-X-19SP/228BJ-4F/6MM/3M-DI065-00	Multi	62.5/125	4	4xSC(M)	Sq. Fl. Bulkhead	3
STF-X-19SP/225BJ-2F/6MM/5M-DI065-00	Multi	62.5/125	2	2xSC(M)	Sq. Fl. Bulkhead	5
STF-X-19SP/228BJ-4F/6MM/5M-DI065-00	Multi	62.5/125	4	4xSC(M)	Sq. Fl. Bulkhead	5
STF-X-19SP/225BJ-2F/6MM/10M-DI065-00	Multi	62.5/125	2	2xSC(M)	Sq. Fl. Bulkhead	10
STF-X-19SP/228BJ-4F/6MM/10M-DI065-00	Multi	62.5/125	4	4xSC(M)	Sq. Fl. Bulkhead	10

Shown trademarks are property of their respective owners.

While the information contained herein in this catalog, has been carefully compiled to the best of our knowledge, nothing is intended as representation and warranty on our part; and no statement shall be construed as recommendation to infringe any of existing patents. We accept no liability of whatsoever for any faults and errors in the information contained herein. Contents of this catalogue and specifications of the products, are subject to change without notice due to continuous improvements.

**Expanded Beam Square Flange Bulkhead Receptacle – LC Fiber Optic Cable Sets**

P/N for Fiber Optic Assembly	Mode	Size	No. of Fibers	Conn. 1	Conn. 2 (X-Beam)	Len. Met.
STF-X-21SP/215BJ-2F/9SM/1M-DI065-00	Single	9/125	2	2xLC(M)	Sq. Fl. Bulkhead	1
STF-X-21SP/218BJ-4F/9SM/1M- DI065-00	Single	9/125	4	4xLC(M)	Sq. Fl. Bulkhead	1
STF-X-21SP/215BJ-2F/9SM/2M-DI065-00	Single	9/125	2	2xLC(M)	Sq. Fl. Bulkhead	2
STF-X-21SP/218BJ-4F/9SM/2M- DI065-00	Single	9/125	4	4xLC(M)	Sq. Fl. Bulkhead	2
STF-X-21SP/215BJ-2F/9SM/3M-DI065-00	Single	9/125	2	2xLC(M)	Sq. Fl. Bulkhead	3
STF-X-21SP/218BJ-4F/9SM/3M- DI065-00	Single	9/125	4	4xLC(M)	Sq. Fl. Bulkhead	3
STF-X-21SP/215BJ-2F/9SM/5M-DI065-00	Single	9/125	2	2xLC(M)	Sq. Fl. Bulkhead	5
STF-X-21SP/218BJ-4F/9SM/5M- DI065-00	Single	9/125	4	4xLC(M)	Sq. Fl. Bulkhead	5
STF-X-21SP/215BJ-2F/9SM/10M-DI065-00	Single	9/125	2	2xLC(M)	Sq. Fl. Bulkhead	10
STF-X-21SP/218BJ-4F/9SM/10M- DI065-00	Single	9/125	4	4xLC(M)	Sq. Fl. Bulkhead	10
STF-X-23SP/235BJ-2F/5MM/1M-DI065-00	Multi	50/125	2	2xLC(M)	Sq. Fl. Bulkhead	1
STF-X-23SP/238BJ-4F/5MM/1M-DI065-00	Multi	50/125	4	4xLC(M)	Sq. Fl. Bulkhead	1
STF-X-23SP/235BJ-2F/5MM/2M-DI065-00	Multi	50/125	2	2xLC(M)	Sq. Fl. Bulkhead	2
STF-X-23SP/238BJ-4F/5MM/2M-DI065-00	Multi	50/125	4	4xLC(M)	Sq. Fl. Bulkhead	2
STF-X-23SP/235BJ-2F/5MM/3M-DI065-00	Multi	50/125	2	2xLC(M)	Sq. Fl. Bulkhead	3
STF-X-23SP/238BJ-4F/5MM/3M-DI065-00	Multi	50/125	4	4xLC(M)	Sq. Fl. Bulkhead	3
STF-X-23SP/235BJ-2F/5MM/5M-DI065-00	Multi	50/125	2	2xLC(M)	Sq. Fl. Bulkhead	5
STF-X-23SP/238BJ-4F/5MM/5M-DI065-00	Multi	50/125	4	4xLC(M)	Sq. Fl. Bulkhead	5
STF-X-23SP/235BJ-2F/5MM/10M-DI065-00	Multi	50/125	2	2xLC(M)	Sq. Fl. Bulkhead	10
STF-X-23SP/238BJ-4F/5MM/10M-DI065-00	Multi	50/125	4	4xLC(M)	Sq. Fl. Bulkhead	10
STF-X-25SP/225BJ-2F/6MM/1M-DI065-00	Multi	62.5/125	2	2xLC(M)	Sq. Fl. Bulkhead	1
STF-X-25SP/228BJ-4F/6MM/1M-DI065-00	Multi	62.5/125	4	4xLC(M)	Sq. Fl. Bulkhead	1
STF-X-25SP/225BJ-2F/6MM/2M-DI065-00	Multi	62.5/125	2	2xLC(M)	Sq. Fl. Bulkhead	2
STF-X-25SP/228BJ-4F/6MM/2M-DI065-00	Multi	62.5/125	4	4xLC(M)	Sq. Fl. Bulkhead	2
STF-X-25SP/225BJ-2F/6MM/3M-DI065-00	Multi	62.5/125	2	2xLC(M)	Sq. Fl. Bulkhead	3
STF-X-25SP/228BJ-4F/6MM/3M-DI065-00	Multi	62.5/125	4	4xLC(M)	Sq. Fl. Bulkhead	3
STF-X-25SP/225BJ-2F/6MM/5M-DI065-00	Multi	62.5/125	2	2xLC(M)	Sq. Fl. Bulkhead	5
STF-X-25SP/228BJ-4F/6MM/5M-DI065-00	Multi	62.5/125	4	4xLC(M)	Sq. Fl. Bulkhead	5
STF-X-25SP/225BJ-2F/6MM/10M-DI065-00	Multi	62.5/125	2	2xLC(M)	Sq. Fl. Bulkhead	10
STF-X-25SP/228BJ-4F/6MM/10M-DI065-00	Multi	62.5/125	4	4xLC(M)	Sq. Fl. Bulkhead	10

Shown trademarks are property of their respective owners.

While the information contained herein in this catalog, has been carefully compiled to the best of our knowledge, nothing is intended as representation and warranty on our part; and no statement shall be construed as recommendation to infringe any of existing patents. We accept no liability of whatsoever for any faults and errors in the information contained herein. Contents of this catalogue and specifications of the products, are subject to change without notice due to continuous improvements.