

# Variable Rotary Step Attenuators, 2 Watts

Frequency: DC ~ 18 GHz

P/N: IVA-S2...18.. Series



Impedance : 50 Ω

Average Power : 2 W

Peak Power : 100W (5us pulse width with 2% duty cycle)

Operating Temp : 20°C ~ 85°C

Ordering Code	Figure	Frequency Range (GHz)	Attenuation Range (dB) Step Size	MAX VSWR	Insertion Loss(dB)	Attenuation Accuracy (dB)	Connector Type
IVA-S2-1-10-6-A1	Fig 1	DC - 6	0-10 / 1	1.20-1.50	≤1.0	± 0.5	SMA(F,F)
IVA-S2-1-10-18-A5	Fig 3	DC-18	0-10/1	1.60	≤1.5	±1.0	SMA(F,F)
IVA-S2-1-60-2.5-A1	Fig 1	DC - 2.5	0-60 / 10	1.2	≤0.4	± 0.5	SMA(F,F)
IVA-S2-1-60-6-A1	Fig 1	DC - 6	0-60 / 10	1.20-1.50	≤1.0	±0.5(<50dB) ±0.8(≥50dB)	SMA(F,F)
IVA-S2-2-70-4.3-A2	Fig 2	DC - 4.3	0-70 / 1	1.25-1.50	≤1.5	±0.3dB(≤10dB) ±0.8dB (≤60dB) ±1.5dB (>60dB)	SMA(F,F)
IVA-S2-2-70-8-A6	Fig 5	DC-8	0-70/1	1.50	≤1.0	±0.5dB (0~9dB) ±1.0dB(10~19dB) ±1.5dB(20~49dB) ±1.9dB(50~70dB)	SMA(F,F)
IVA-S2-2-70-18-A6	Fig 5	DC-18	0-70/1	1.75	≤1.5	±0.5dB (0~9dB) ±1.0dB(10~19dB) ±1.5dB(20~49dB) ±1.9dB(50~70dB)	SMA(F,F)
IVA-S2-3-71-6-A4	Fig 6	DC-6	0-71/0.1	1.8	≤2.5	±0.3dB(0.1~1dB) ±0.4dB(1~10dB) ±0.8dB(10~60dB) ±1.5dB(≤71 dB)	N (F,F)
IVA-S2-1-80-18-A5	Fig 4	DC-18	0-80/10	1.60	≤1.5	±2.5	SMA(F,F)
IVA-S2-1-90-3-A1	Fig 1	DC - 3	0-90 / 10	1.20-1.25	≤0.5	±0.5(≤60dB) ±3.5%(>60dB)	SMA(F,F)
IVA-S2-2-99-4-A6	Fig 5	DC-4	0-99/1	1.35	≤0.75	±0.5dB (0~9dB) ±1.0dB(10~19dB) ±1.5dB(20~49dB) ±1.9dB(50~69dB) ±2.5dB(70~99dB)	SMA(F,F)
IVA-S2-2-99-18-A6	Fig 5	DC-18	0-99/1	1.75	≤1.5	±0.5dB (0~9dB) ±1.0dB(10~19dB) ±1.5dB(20~49dB) ±1.9dB(50~69dB) ±2.5dB(70~99dB)	SMA(F,F)
IVA-S2-3-101-3-A4	Fig 6	DC-3	0-101/0.1	1.60	≤1.7	±0.2dB(0.1~1dB) ±0.4dB(1~10dB) ±0.8dB(10~60dB) ±1.5dB(<70dB) ±3.5%(≥70dB)	N (F,F)

N7

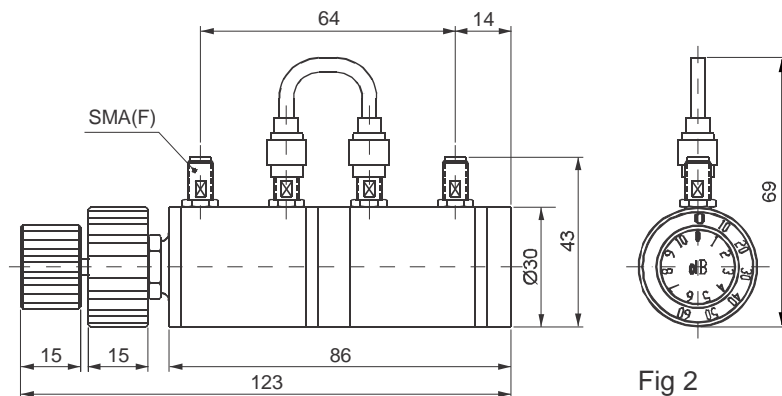
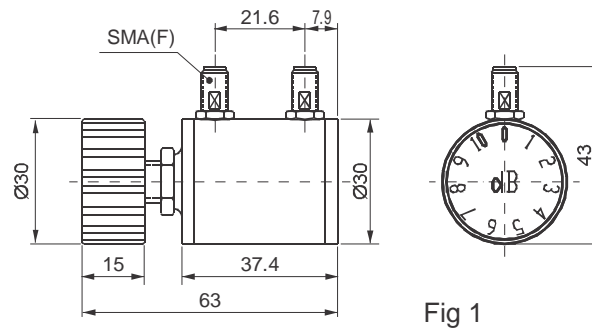
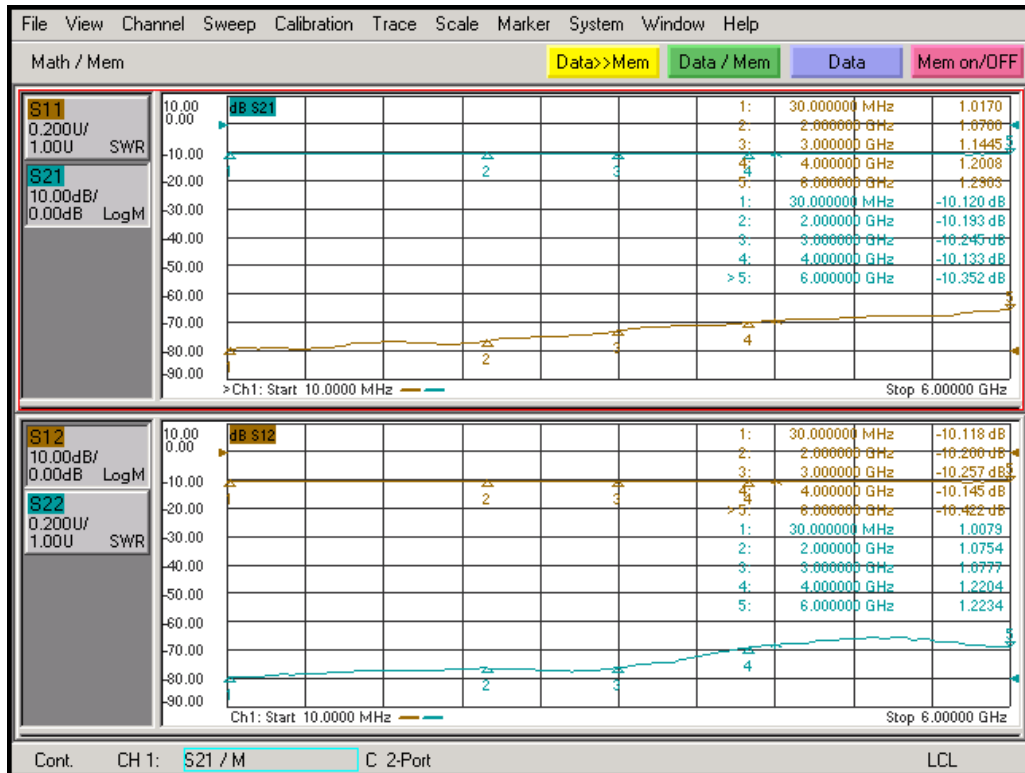
Cross reference is based on manufacturers datasheets and is indicative only. Customers have to verify themselves exact specifications. We accept no legal liability whatsoever for use of this cross reference by the customer. While the information, contained herein in this datasheet, has been carefully compiled to the best of our knowledge, nothing is intended as representation or warranty on our part and no statement herein shall be construed as recommendation to infringe existing patents. We accept no liability of whatsoever for any fault and errors in this datasheet. Contents of this datasheet and specifications of the products are subject to change without notice due to continuous improvement.

# Variable Rotary Step Attenuators, 2 Watts

Frequency: DC ~ 18 GHz

P/N: IVA-S2...18.. Series

## VNA Plot for IVA-S2-1-10-6-A1 Variable Attenuator (0~10dB/6GHz)



N7

Cross reference is based on manufacturers datasheets and is indicative only. Customers have to verify themselves exact specifications. We accept no legal liability whatsoever for use of this cross reference by the customer. While the information, contained herein in this datasheet, has been carefully compiled to the best of our knowledge, nothing is intended as representation or warranty on our part and no statement herein shall be construed as recommendation to infringe existing patents. We accept no liability of whatsoever for any fault and errors in this datasheet. Contents of this datasheet and specifications of the products are subject to change without notice due to continuous improvement.

# Variable Rotary Step Attenuators, 2 Watts

Frequency: DC ~ 18 GHz

P/N: IVA-S2...18.. Series

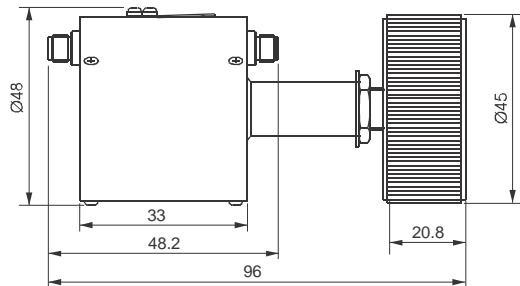


Fig 3

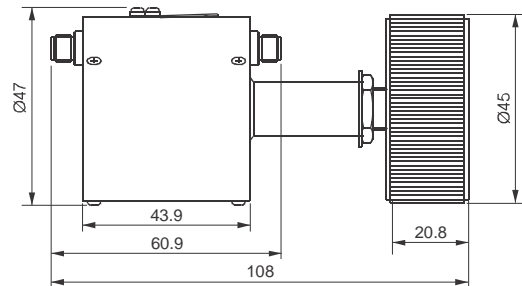


Fig 4

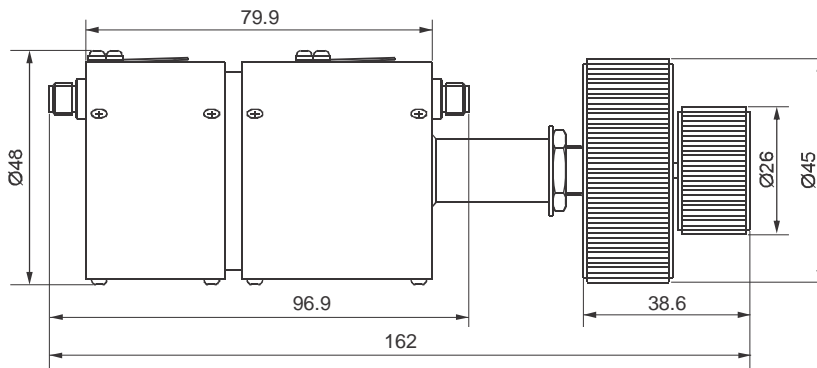


Fig 5

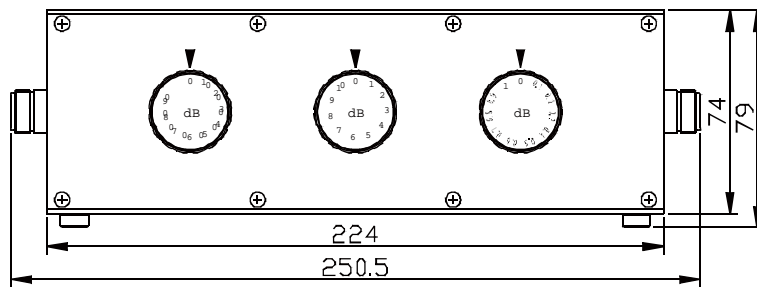
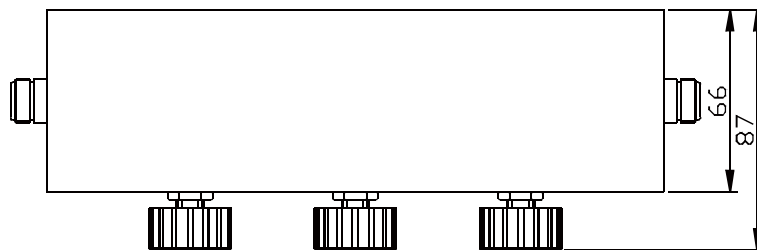


Fig 6



N7

Cross reference is based on manufacturers datasheets and is indicative only. Customers have to verify themselves exact specifications. We accept no legal liability whatsoever for use of this cross reference by the customer. While the information, contained herein in this datasheet, has been carefully compiled to the best of our knowledge, nothing is intended as representation or warranty on our part and no statement herein shall be construed as recommendation to infringe existing patents. We accept no liability of whatsoever for any fault and errors in this datasheet. Contents of this datasheet and specifications of the products are subject to change without notice due to continuous improvement.